



Casambi Sensor Track System

Smart motion and brightness sensor for 3-phase track systems – controls luminaires without the need for wiring

Article no. black: 1040B / Article no. white: 1040W

Description

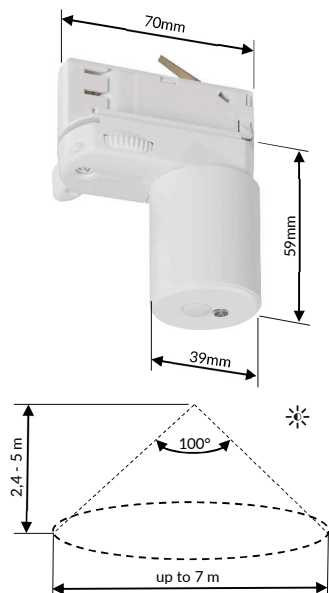
The AIMOTION sensor for track systems offers the possibility to automate light. The professional lighting management system ensures that the luminaires are switched or dimmed depending on brightness, time of day and presence. Lighting systems with alterable colour temperature change throughout the day according to the preset lighting scenes and thus support the circadian rhythm. The products communicate with each other in a mesh network. The Bluetooth range is increased without the use of gateways, routers, repeaters or extra cabling.

- Simply insert into the track
- 3-phase dial
- Assign the desired scenes to the sensor via app
- Luminaires/devices automatically switch on and off after motion detection
- Reduce energy consumption
- iBeacon can be activated
- Integrated brightness sensor – light intensity as required
- Absence setting – changing the dimming level during absence
- Day and night setting – individual light at certain times when motion is detected
- Activate/deactivate automation by motion detector via switch or timer

Technical Details

Description	Features
Operating voltage	220..240 VAC, 50/60 Hz
Radio frequencies	2,4..2,483 GHz; +4 dBm
Linger time	adjustable via app, up to 60 mins.
Photosensitivity	adjustable via app, up to 2000 Lux
Ambient temperature	-20..+60 °C
Degree of protection / protection class	IP20 / I
Max. input power	0,4 W
Weight	100 g
Dimensions	70 × 59 × 39 mm (integrated in track)
Colours	white and black
Compatibility	- Nordic Aluminium - Erco - iGuzzini - Zumtobel Staff - Eutrac - Concord - Crossline - Hoffmeister - Nordic Light - Unipro - Stucchi - All common tracks EU

Dimensions



Declaration of Conformity:

Hereby AIMOTION GmbH declares that the product Sensor Track System is in compliance with Directive 2014/53/EU. The detailed declaration of conformity can be found at <https://www.aimotion-smartliving.de/en/support-en/download/> in the product category Sensors.

Technical changes and errors excepted. 07.2021.



Commissioning

Follow these steps to add the device to a network

- 1) Open the Casambi App and log in to your Bluetooth network. If you have not yet created a network, you must create a new network.
- 2) Before adding the device to the network, select the appropriate profile. Tap on 'More', then tap on 'Devices nearby'. Then tap the device, tap 'Change Profile' and follow the instructions.
- 3) In the Near Devices overview, tap the device and add it to the network.
- 4) The device is added to the network and ready to use.

Profiles

Description
Sensor Track System
Sensor Track System 2000 Lux