

Safety isolating transformer **ACT 63**



Picture shows ACT 100

Advantages

Integrated short-circuit and overload protection thanks to temperature fuse in the input and fuse in the output (ACT 10 only temperature fuse)

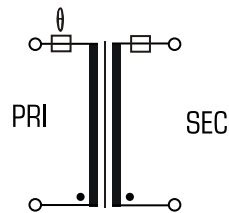
Permanent corrosion protection, high insulation value and maximum electrical reliability thanks to XtraDenseFill resin encapsulation

Robust plastic housing for rail mounting, e.g. in consumer units or meter mounting boards

Applications

Safety isolating transformer for the safe electrical isolation of the input and output sides. The transformer is suitable for creating SELV and PELV circuits because of the limit on the output voltage.

Sample application



Standards



Safety isolating transformer
to: VDE 0570 Part 2-6, DIN EN 61558-2-6, EN 61558-2-6, IEC 61558-2-6

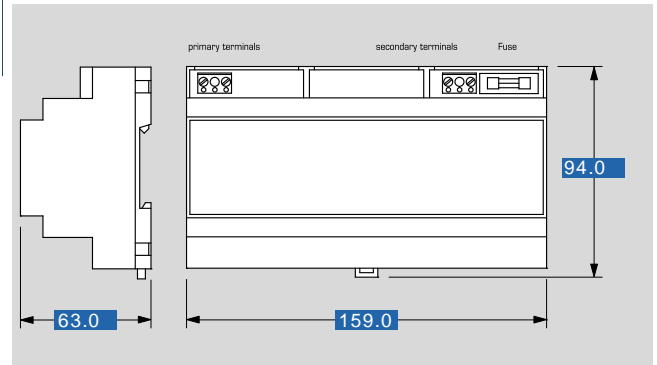
Approvals



Safety isolating transformer ACT 63

Type		ACT 63
Electrical data	Input	
	Rated input voltage	230 Vac
	Rated frequency	50 - 60 Hz
	Output	
	Rated output voltage	24 Vac
	Rated Power	63 VA
	Environment	
	Ambient temperature max.	25 °C
	Type of cooling	self-cooling
	Safety and protection	
Type	Resin encapsulated transformer	
Insulation class	B	
Protection index	IP 00	
Safety class (prepared)	II	
Short circuit strength	non-inherently short-circuit proof	
Test voltage	3750 Vac, 50 Hz	
Order numbers		
Order Number	ACT 63	

Type		ACT 63
Mechanical data	Terminal and mounting	
	Fixing method	Panel installation on mounting rails
	Terminals	Screw-type terminal
	Measures and weights	
	Weight	1.93 kg
	Dimension (W x H x D)	94 x 63 x 159 mm



Subject to change.