





















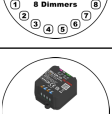

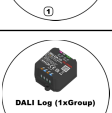


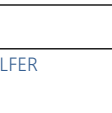




There are more than 85 Casambi fixture profiles available for CBU-DA-1P. Depending on the fixture profile used, CBU-DA-1P must be connected to the DALI devices in a specific way. Wiring diagrams for each fixture profile are shown in this document.

Type	Profile			Description	Wiring diagram
	Fixture ID	Model / Name	Icon		
DALI	33477**	DALI Lin* Broadcast		DALI Broadcast. Linear dimming curve. Factory default profile.	1
	33478	DALI Log Broadcast		DALI Broadcast. Logarithmic dimming curve.	1
	33479	DALI Lin* BC + Ext. Presence		DALI Broadcast. Linear dimming curve. A DALI-2 motion sensor connected to the DALI bus will appear as a Casambi sensor in the App.	2
	34854	DALI Log BC + Ext. Presence		DALI Broadcast. Logarithmic dimming curve. A DALI-2 motion sensor connected to the DALI bus will appear as a Casambi sensor in the App.	2
	33480	DALI Lin* BC + Ext. Light		DALI Broadcast. Linear dimming curve. A DALI-2 light sensor connected to the DALI bus will appear as a Casambi sensor in the App.	2
	34855	DALI Log BC + Ext. Light		DALI Broadcast. Logarithmic dimming curve. A DALI-2 light sensor connected to the DALI bus will appear as a Casambi sensor in the App.	2
	33481	DALI Lin* BC + Ext. Sensors		DALI Broadcast. Linear dimming curve. A DALI-2 motion and light sensor connected to the DALI bus will appear as a Casambi sensor in the App.	2
	34856	DALI Log BC + Ext. Sensors		DALI Broadcast. Logarithmic dimming curve. A DALI-2 motion and light sensor connected to the DALI bus will appear as a Casambi sensor in the App.	2
	33482	DALI Lin* 1xDIM SA		DALI DT6 1xDimmer. Linear dimming curve. Automatic DALI addressing.	3
	34857	DALI Log 1xDIM SA		DALI DT6 1xDimmer. Logarithmic dimming curve. Automatic DALI addressing.	3
	33483	DALI Lin* 2xDIM SA		DALI DT6 2xDimmers. Linear dimming curve. Individual slider levels are overwritten when dimmed by sliding on the App icon. Automatic DALI addressing.	4
	34859	DALI Log 2xDIM SA		DALI DT6 2xDimmers. Logarithmic dimming curve. Individual slider levels are overwritten when dimmed by sliding on the App icon. Automatic DALI addressing.	4
	33484	DALI Lin* 3xDIM SA		DALI DT6 3xDimmers. Linear dimming curve. Individual slider levels are overwritten when dimmed by sliding on the App icon. Automatic DALI addressing.	5






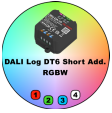





34860	DALI Log 3xDIM SA		DALI DT6 3xDimmers. Logarithmic dimming curve. Individual slider levels are overwritten when dimmed by sliding on the App icon. Automatic DALI addressing.	5
33485	DALI Lin* 4xDIM SA		DALI DT6 4xDimmers. Linear dimming curve. Individual slider levels are overwritten when dimmed by sliding on the App icon. Automatic DALI addressing.	6
34861	DALI Log 4xDIM SA		DALI DT6 4xDimmers. Logarithmic dimming curve. Individual slider levels are overwritten when dimmed by sliding on the App icon. Automatic DALI addressing.	6
33486	DALI Lin* 5xDIM SA		DALI DT6 5xDimmers. Linear dimming curve. Individual slider levels are overwritten when dimmed by sliding on the App icon. Automatic DALI addressing.	7
34862	DALI Log 5xDIM SA		DALI DT6 5xDimmers. Logarithmic dimming curve. Individual slider levels are overwritten when dimmed by sliding on the App icon. Automatic DALI addressing.	7
33487	DALI Lin* 6xDIM SA		DALI DT6 6xDimmers. Linear dimming curve. Individual slider levels are overwritten when dimmed by sliding on the App icon. Automatic DALI addressing.	8
34863	DALI Log 6xDIM SA		DALI DT6 6xDimmers. Logarithmic dimming curve. Individual slider levels are overwritten when dimmed by sliding on the App icon. Automatic DALI addressing.	8
33488	DALI Lin* 7xDIM SA		DALI DT6 7xDimmers. Linear dimming curve. Individual slider levels are overwritten when dimmed by sliding on the App icon. Automatic DALI addressing.	9
34864	DALI Log 7xDIM SA		DALI DT6 7xDimmers. Logarithmic dimming curve. Individual slider levels are overwritten when dimmed by sliding on the App icon. Automatic DALI addressing.	9
33489	DALI Lin* 8xDIM SA		DALI DT6 8xDimmers. Linear dimming curve. Individual slider levels are overwritten when dimmed by sliding on the App icon. Automatic DALI addressing.	10
34865	DALI Log 8xDIM SA		DALI DT6 8xDimmers. Logarithmic dimming curve. Individual slider levels are overwritten when dimmed by sliding on the App icon. Automatic DALI addressing.	10
33490	DALI Lin* (1xGroup)		DALI 1xGroup. Linear dimming curve. Controls DALI groups.	11
34866	DALI Log (1xGroup)		DALI 1xGroup. Logarithmic dimming curve. Controls DALI groups.	11
33491	DALI Lin* (2xGroup)		DALI 2xGroup. Linear dimming curve. Individual slider levels are overwritten when dimmed by sliding on the App icon. Controls DALI groups.	11
34867	DALI Log (2xGroup)		DALI 2xGroup. Logarithmic dimming curve. Individual slider levels are overwritten when dimmed by sliding on the App icon. Controls DALI groups.	11

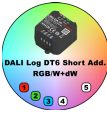
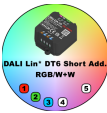
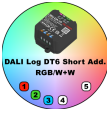


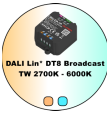




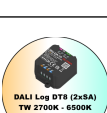


33492	DALI Lin* (3xGroup)		DALI 3xGroup. Linear dimming curve. Individual slider levels are overwritten when dimmed by sliding on the App icon. Controls DALI groups.	11
34868	DALI Log (3xGroup)		DALI 3xGroup. Logarithmic dimming curve. Individual slider levels are overwritten when dimmed by sliding on the App icon. Controls DALI groups.	11
33493	DALI Lin* (4xGroup)		DALI 4xGroup. Linear dimming curve. Individual slider levels are overwritten when dimmed by sliding on the App icon. Controls DALI groups.	11
34869	DALI Log (4xGroup)		DALI 4xGroup. Logarithmic dimming curve. Individual slider levels are overwritten when dimmed by sliding on the App icon. Controls DALI groups.	11
33494	DALI Lin* (5xGroup)		DALI 5xGroup. Linear dimming curve. Individual slider levels are overwritten when dimmed by sliding on the App icon. Controls DALI groups.	11
34870	DALI Log (5xGroup)		DALI 5xGroup. Logarithmic dimming curve. Individual slider levels are overwritten when dimmed by sliding on the App icon. Controls DALI groups.	11
33495	DALI Lin* (6xGroup)		DALI 6xGroup. Linear dimming curve. Individual slider levels are overwritten when dimmed by sliding on the App icon. Controls DALI groups.	11
34871	DALI Log (6xGroup)		DALI 6xGroup. Logarithmic dimming curve. Individual slider levels are overwritten when dimmed by sliding on the App icon. Controls DALI groups.	11
33496	DALI Lin* (7xGroup)		DALI 7xGroup. Linear dimming curve. Individual slider levels are overwritten when dimmed by sliding on the App icon. Controls DALI groups.	11
34872	DALI Log (7xGroup)		DALI 7xGroup. Logarithmic dimming curve. Individual slider levels are overwritten when dimmed by sliding on the App icon. Controls DALI groups.	11
33497	DALI Lin* (8xGroup)		DALI 8xGroup. Linear dimming curve. Individual slider levels are overwritten when dimmed by sliding on the App icon. Controls DALI groups.	11
34873	DALI Log (8xGroup)		DALI 8xGroup. Logarithmic dimming curve. Individual slider levels are overwritten when dimmed by sliding on the App icon. Controls DALI groups.	11
33498	DALI Lin* DT6 TW Warm-Cool SA		DALI DT6 Tunable white. Generic Warm / Cool slider (no CCT value data). Linear dimming curve. Automatic DALI addressing. Warm: address A0 Cool: address A1	12
34874	DALI Log DT6 TW Warm-Cool SA		DALI DT6 Tunable white. Generic Warm / Cool slider (no CCT value data). Logarithmic dimming curve. Automatic DALI addressing. Warm: address A0 Cool: address A1	12
33499	DALI Lin* DT6 TW 3-5K SA		DALI DT6 Tunable white. Linear dimming curve. Automatic DALI addressing. Warm: address A0 Cool: address A1	12



34875	DALI Log DT6 TW 3-5K SA		DALI DT6 Tunable white. Logarithmic dimming curve. Automatic DALI addressing. Warm: address A0 Cool: address A1	12
33500	DALI Lin* DT6 Dim to Warm SA		DALI DT6 Dim to Warm. Single dimmer controlling both light intensity and color temperature. Light is warmer at low dimming levels and cooler at higher brightness levels. Linear dimming curve. Automatic DALI addressing. Warm: address A0 Cool: address A1	12
34876	DALI Log DT6 Dim to Warm SA		DALI DT6 Dim to Warm. Single dimmer controlling both light intensity and color temperature. Light is warmer at low dimming levels and cooler at higher brightness levels. Logarithmic dimming curve. Automatic DALI addressing. Warm: address A0 Cool: address A1	12
33501	DALI Lin* DT6 RGB SA		DALI DT6 RGB. Linear dimming curve. Automatic DALI addressing. Red: address A0 Green: address A1 Blue: address A2	13
34877	DALI Log DT6 RGB SA		DALI DT6 RGB. Logarithmic dimming curve. Automatic DALI addressing. Red: address A0 Green: address A1 Blue: address A2	13
33502	DALI Lin* DT6 RGBW SA		DALI DT6 RGBW. Linear dimming curve. Dedicated slider for White. Automatic DALI addressing. Red: address A0 Green: address A1 Blue: address A2 White: address A3	14
34878	DALI Log DT6 RGBW SA		DALI DT6 RGBW. Logarithmic dimming curve. Dedicated slider for White. Automatic DALI addressing. Red: address A0 Green: address A1 Blue: address A2 White: address A3	14
33503	DALI Lin* DT6 RGB/W SA		DALI DT6 RGB/W. Linear dimming curve. White/Colour balance control. Automatic DALI addressing. Red: address A0 Green: address A1 Blue: address A2 White: address A3	14
34879	DALI Log DT6 RGB/W SA		DALI DT6 RGB/W. Logarithmic dimming curve. White/Colour balance control. Automatic DALI addressing. Red: address A0 Green: address A1 Blue: address A2 White: address A3	14
33504	DALI Lin* DT6 RGB/W+dW SA		DALI DT6 RGB/W with additional White2 channel. Linear dimming curve. White1/Colour balance slider + Dedicated slider for additional White2 channel. White2 channel control won't be affected by top Dimmer slider, but it's level will be overwritten when dimmed by sliding on the App icon. Automatic DALI addressing. Red: address A0 Green: address A1 Blue: address A2 White1 (White/colour slider): address A3 White2 (semi-independent slider): address A4	15

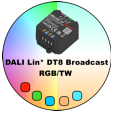
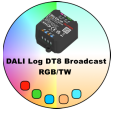







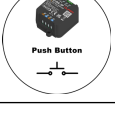



	34880	DALI Log DT6 RGB/W+dW SA		<p>DALI DT6 RGB/W with additional White2 channel. Logarithmic dimming curve. White1/Colour balance slider + Dedicated slider for additional White2 channel. White2 channel control won't be affected by top Dimmer slider, but it's level will be overwritten when dimmed by sliding on the App icon.</p> <p>Automatic DALI addressing.</p> <p>Red: address A0 Green: address A1 Blue: address A2</p> <p>White 1 (White/colour slider): address A3 White2 (semi-independent slider): address A4</p>	15
	33505	DALI Lin* DT6 RGB/W+W SA		<p>DALI DT6 RGB/W with additional White channel. Linear dimming curve. White/Colour balance slider + Dedicated slider for additional White channel. Automatic DALI addressing.</p> <p>Red: address A0 Green: address A1 Blue: address A2</p> <p>White (White/colour slider): address A3 White (independent slider): address A4</p>	15
	34881	DALI Log DT6 RGB/W+W SA		<p>DALI DT6 RGB/W with additional White channel. Logarithmic dimming curve. White/Colour balance slider + Dedicated slider for additional White channel. Automatic DALI addressing.</p> <p>Red: address A0 Green: address A1 Blue: address A2</p> <p>White (White/colour slider): address A3 White (independent slider): address A4</p>	15
DALI DT8	33506	DALI Lin* DT8 TW 3-5K BC		DALI DT8 Tunable white. Broadcast. Linear dimming curve.	16
	34883	DALI Log DT8 TW 3-5K BC		DALI DT8 Tunable white. Broadcast. Logarithmic dimming curve.	16
	33507	DALI Lin* DT8 TW 2.7-6K BC		DALI DT8 Tunable white. Broadcast. Linear dimming curve.	16
	34884	DALI Log DT8 TW 2.7-6K BC		DALI DT8 Tunable white. Broadcast. Logarithmic dimming curve.	16
	33508	DALI Lin* DT8 TW 2.2-7K BC		DALI DT8 Tunable white. Broadcast. Linear dimming curve.	16
	34885	DALI Log DT8 TW 2.2-7K BC		DALI DT8 Tunable white. Broadcast. Logarithmic dimming curve.	16
	33509	DALI Lin* DT8 TW 2.7-6.5K (2xSA)		DALI DT8 Tunable white. 2x Short address. Individual sliders for controlling dimmer and colour temperature of each address. Individual slider levels are overwritten when dimmed by sliding on the App icon. Linear dimming curve. Automatic DALI addressing.	17
	34886	DALI Log DT8 TW 2.7-6.5K (2xSA)		DALI DT8 Tunable white. 2x Short address. Individual sliders for controlling dimmer and colour temperature of each address. Individual slider levels are overwritten when dimmed by sliding on the App icon. Logarithmic dimming curve. Automatic DALI addressing.	17



33510	DALI Lin* DT8 TW 2.7-6.5K (3xSA)		DALI DT8 Tunable white. 3x Short address. Individual sliders for controlling dimmer level of each address. Common colour temperature slider for all addresses. Individual slider levels are overwritten when dimmed by sliding on the App icon. Linear dimming curve. Automatic DALI addressing.	18
34887	DALI Log DT8 TW 2.7-6.5K (3xSA)		DALI DT8 Tunable white. 3x Short address. Individual sliders for controlling dimmer level of each address. Common colour temperature slider for all addresses. Individual slider levels are overwritten when dimmed by sliding on the App icon. Logarithmic dimming curve. Automatic DALI addressing.	18
33511	DALI Lin* DT8 TW 2.7-6.5K (2xGroup)		DALI DT8 Tunable white. 2x Group. Individual sliders for controlling dimmer and colour temperature of each group. Individual slider levels are overwritten when dimmed by sliding on the App icon. Linear dimming curve. Controls DALI groups.	19
34888	DALI Log DT8 TW 2.7-6.5K (2xGroup)		DALI DT8 Tunable white. 2x Group. Individual sliders for controlling dimmer and colour temperature of each group. Individual slider levels are overwritten when dimmed by sliding on the App icon. Logarithmic dimming curve. Controls DALI groups.	19
33512	DALI Lin* DT8 TW 2.7-6.5K (3xGroup)		DALI DT8 Tunable white. 3x Group. Individual sliders for controlling dimmer level of each group. Common colour temperature slider for all groups. Individual slider levels are overwritten when dimmed by sliding on the App icon. Linear dimming curve. Controls DALI groups.	19
34889	DALI Log DT8 TW 2.7-6.5K (3xGroup)		DALI DT8 Tunable white. 3x Group. Individual sliders for controlling dimmer level of each group. Common colour temperature slider for all groups. Individual slider levels are overwritten when dimmed by sliding on the App icon. Logarithmic dimming curve. Controls DALI groups.	19
33513	DALI Lin* DT8 Dim to Warm BC		DALI DT8 Dim to Warm. Broadcast. Single dimmer controlling both light intensity and color temperature. Light is warmer at low dimming levels and cooler at higher brightness levels. Linear dimming curve.	16
34890	DALI Log DT8 Dim to Warm BC		DALI DT8 Dim to Warm. Broadcast. Single dimmer controlling both light intensity and color temperature. Light is warmer at low dimming levels and cooler at higher brightness levels. Logarithmic dimming curve.	16
33514	DALI Lin* DT8 RGB BC		DALI DT8 RGB. Broadcast. Linear dimming curve.	20
34891	DALI Log DT8 RGB BC		DALI DT8 RGB. Broadcast. Logarithmic dimming curve.	20
33515	DALI Lin* DT8 RGBW BC		DALI DT8 RGBW. Broadcast. Linear dimming curve.	21
34892	DALI Log DT8 RGBW BC		DALI DT8 RGBW. Broadcast. Logarithmic dimming curve.	21
33516	DALI Lin* DT8 RGB/W BC		DALI DT8 RGB/W. Broadcast. Linear dimming curve. White/Colour balance slider.	21
34893	DALI Log DT8 RGB/W BC		DALI DT8 RGB/W. Broadcast. Logarithmic dimming curve. White/Colour balance slider.	21



	33517	DALI Lin* DT8 RGB/TW BC		DALI DT8 RGB/TC. Broadcast. Linear dimming curve.	22
	34894	DALI Log DT8 RGB/TW BC		DALI DT8 RGB/TC. Broadcast. Logarithmic dimming curve.	22
	33518	DALI Lin* DT8 RGBW/TW BC		DALI DT8 RGBW/TC. Broadcast. Linear dimming curve.	23
	34895	DALI Log DT8 RGBW/TW BC		DALI DT8 RGBW/TC. Broadcast. Logarithmic dimming curve.	23
	33519	DALI Lin* DT8 XY BC		DALI DT8 XY. Broadcast. Linear dimming curve.	24
	34896	DALI Log DT8 XY BC		DALI DT8 XY. Broadcast. Logarithmic dimming curve.	24
	33520	DALI Lin* DT8 XY/TW BC		DALI DT8 XY/TC. Broadcast. Linear dimming curve.	25
	34897	DALI Log DT8 XY/TW BC		DALI DT8 XY/TC. Broadcast. Logarithmic dimming curve.	25
Misc.	33521	DALI Gateway		Gateway between a wired DALI line and a wireless Casambi network.	26
	33522	Push Button		Push button fixture. It doesn't appear under Lamps tab. A single low voltage push button should be wired to the PUSH terminals.	27
	33523	2xPush Button		2xPush button fixture. It doesn't appear under Lamps tab. Two low voltage push buttons can be connected. First push button should be wired to the PUSH terminals. Second push button should be wired to the DALI (DA+ / DA-) terminals.	28

** Default profile

Additional information

Summary of some terms and abbreviations that have been used throughout the document.

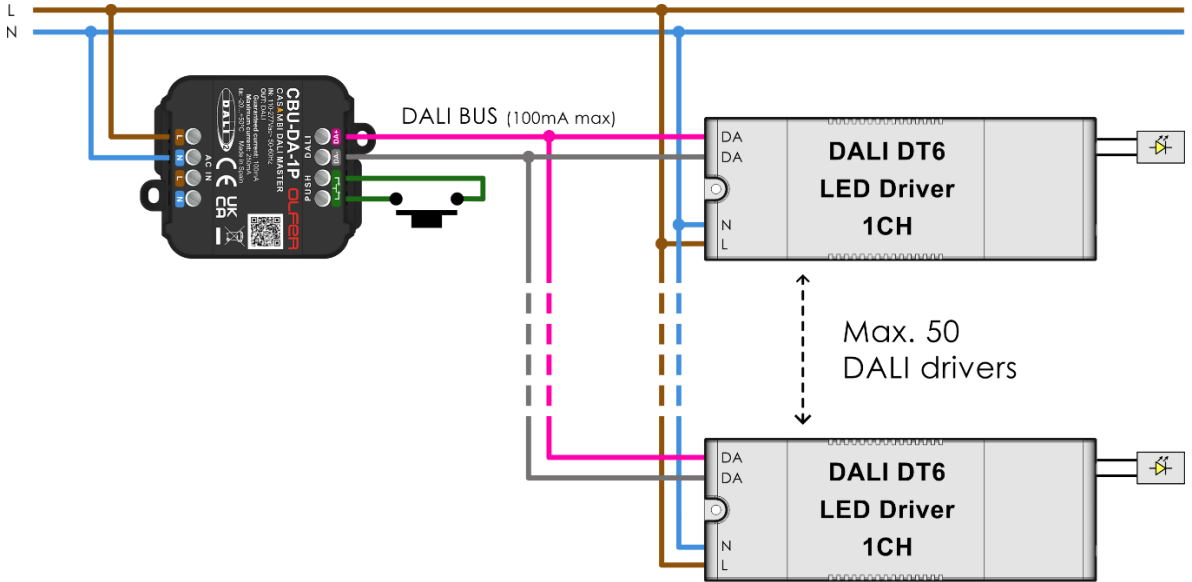
Abbreviation:	Description:
A0, A1, A2, ...	DALI short address.
G0, G1, G2, ...	DALI group address.
BC	Broadcast.
SA	Short Address.
Lin*	Optimized linear dimming curve.
Log	Logarithmic dimming curve.



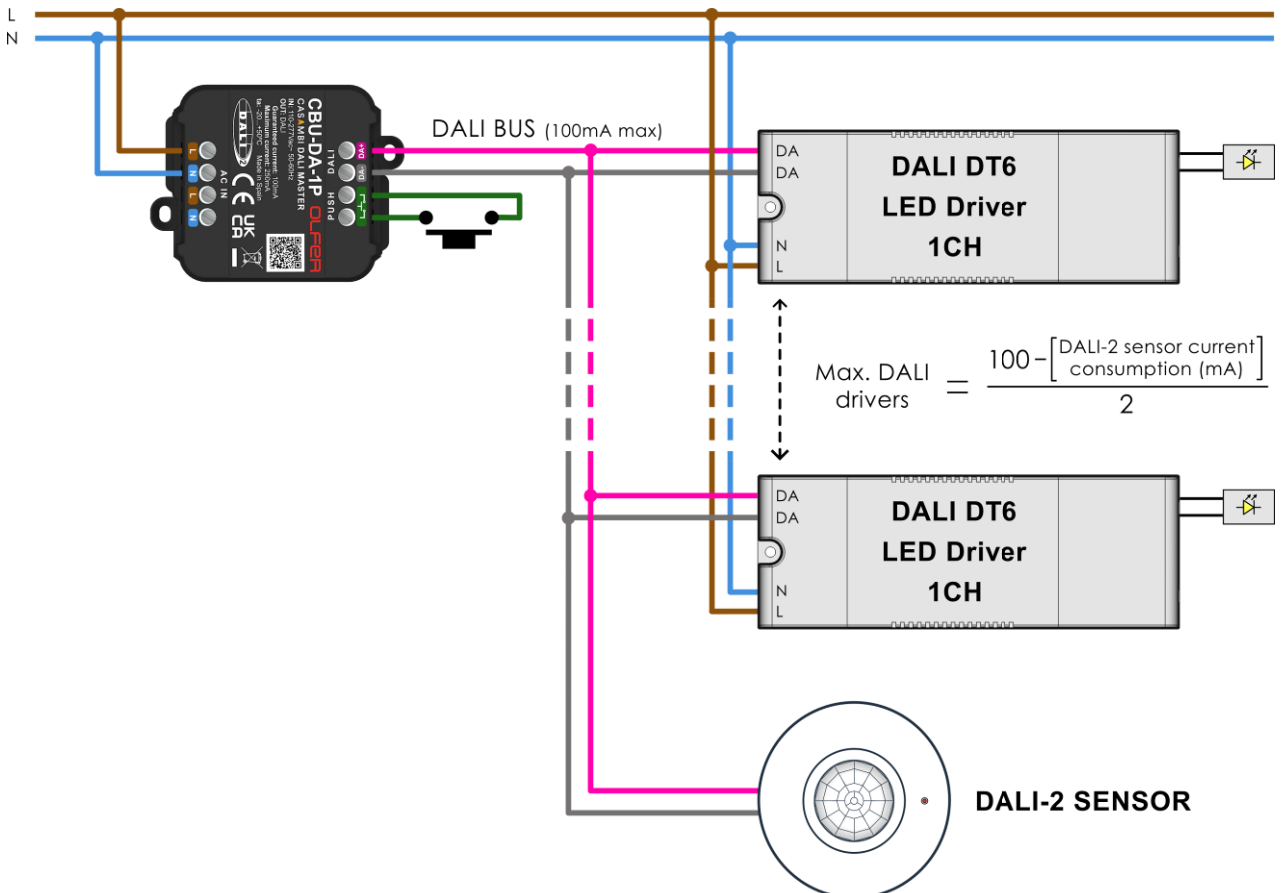
Wiring diagrams:

DALI

1

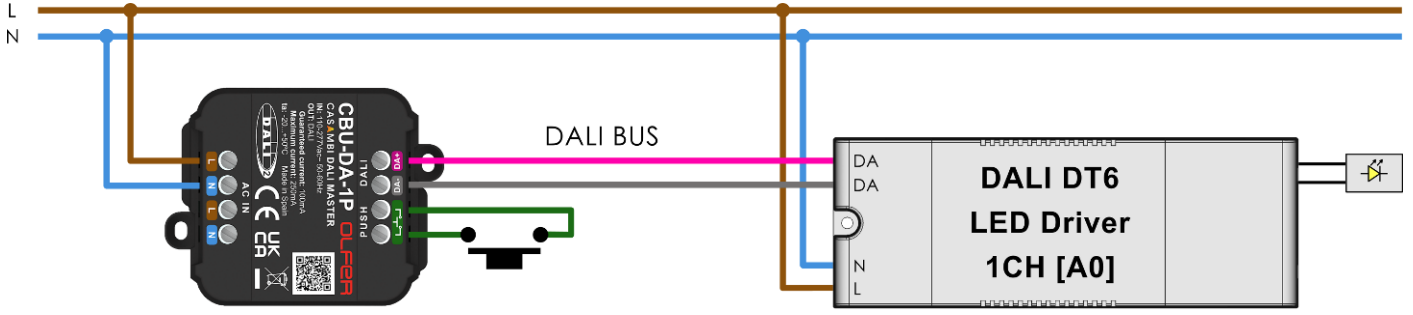


2

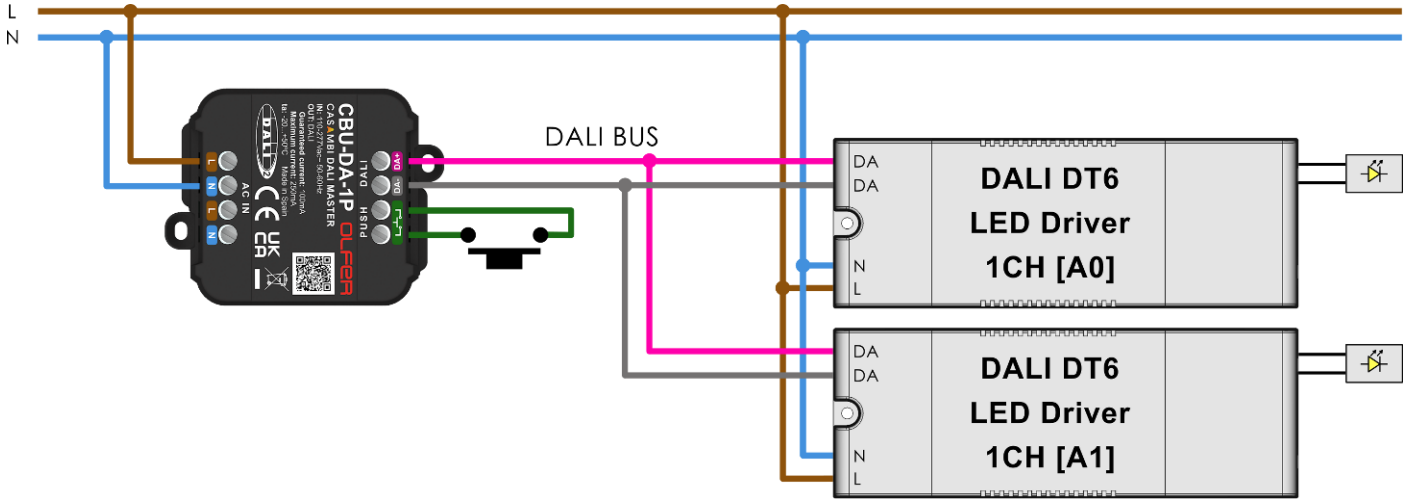




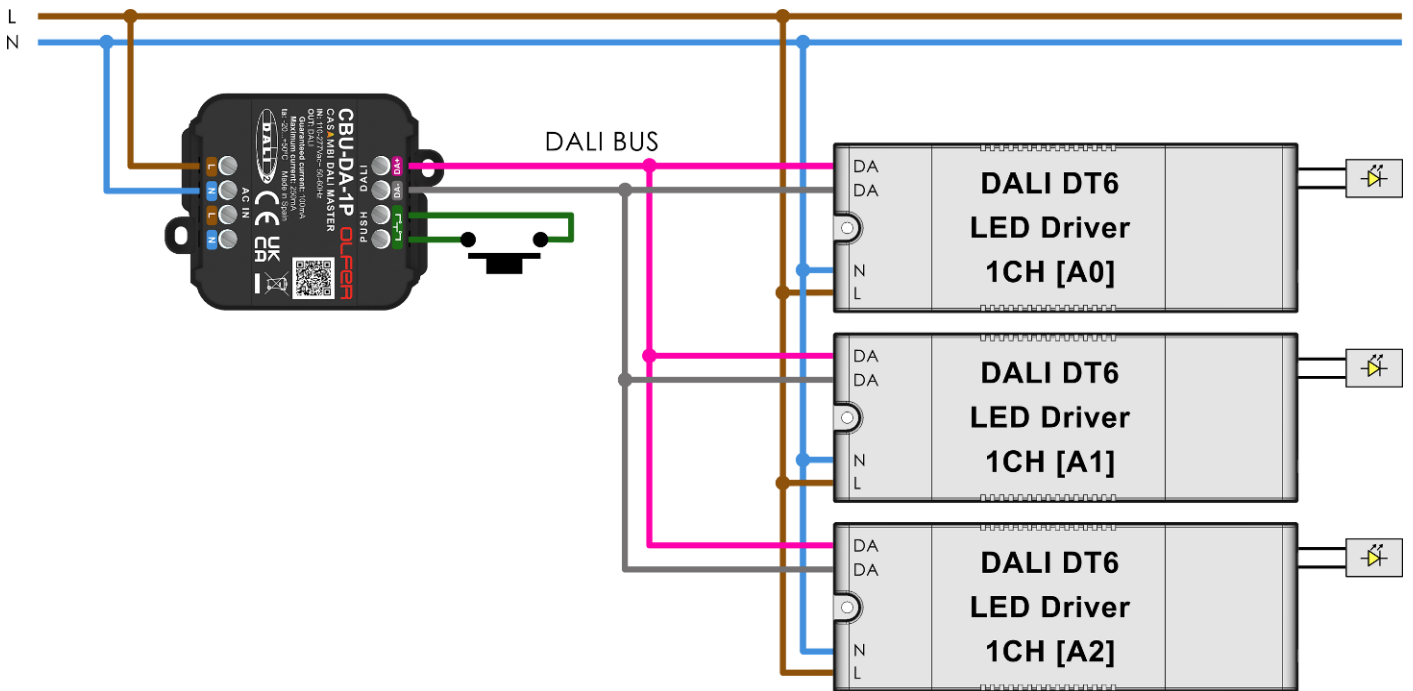
3



4

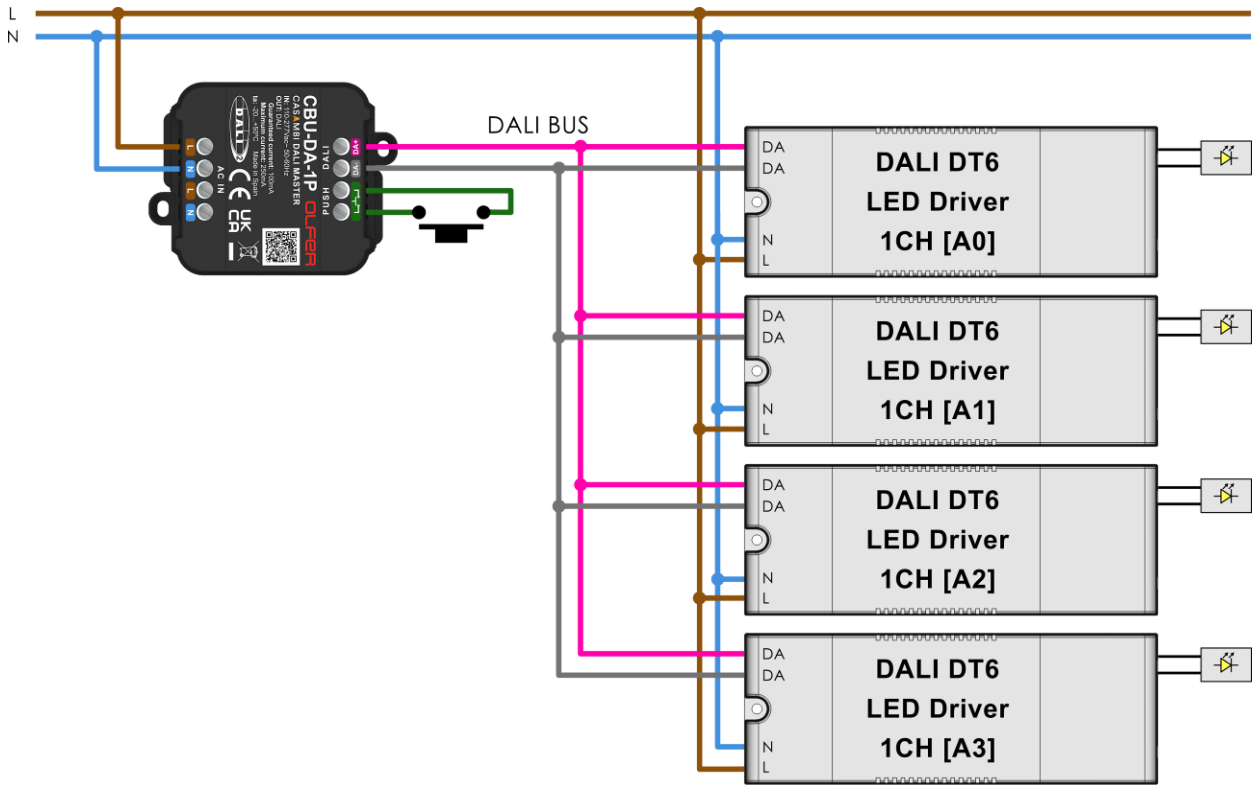


5

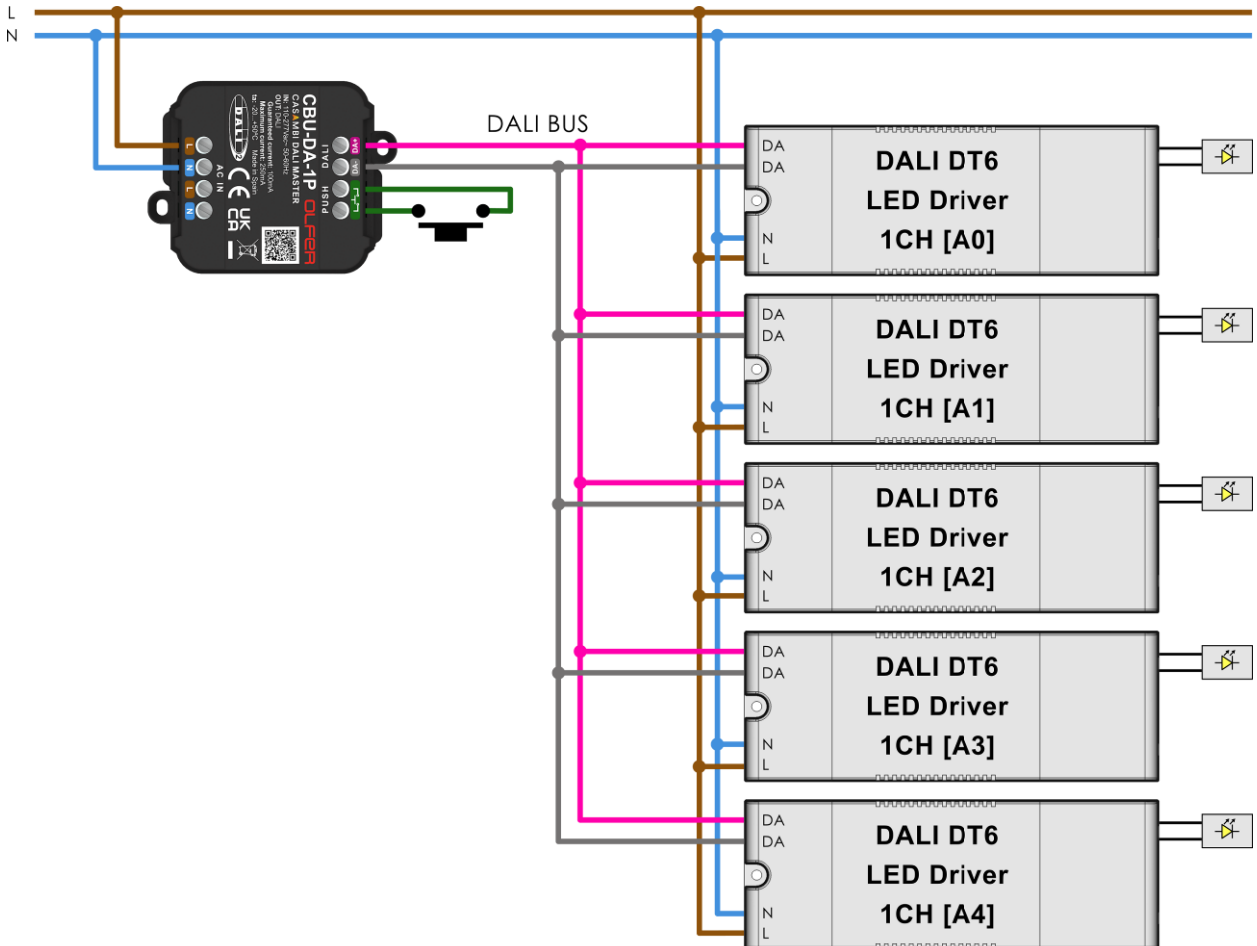




6

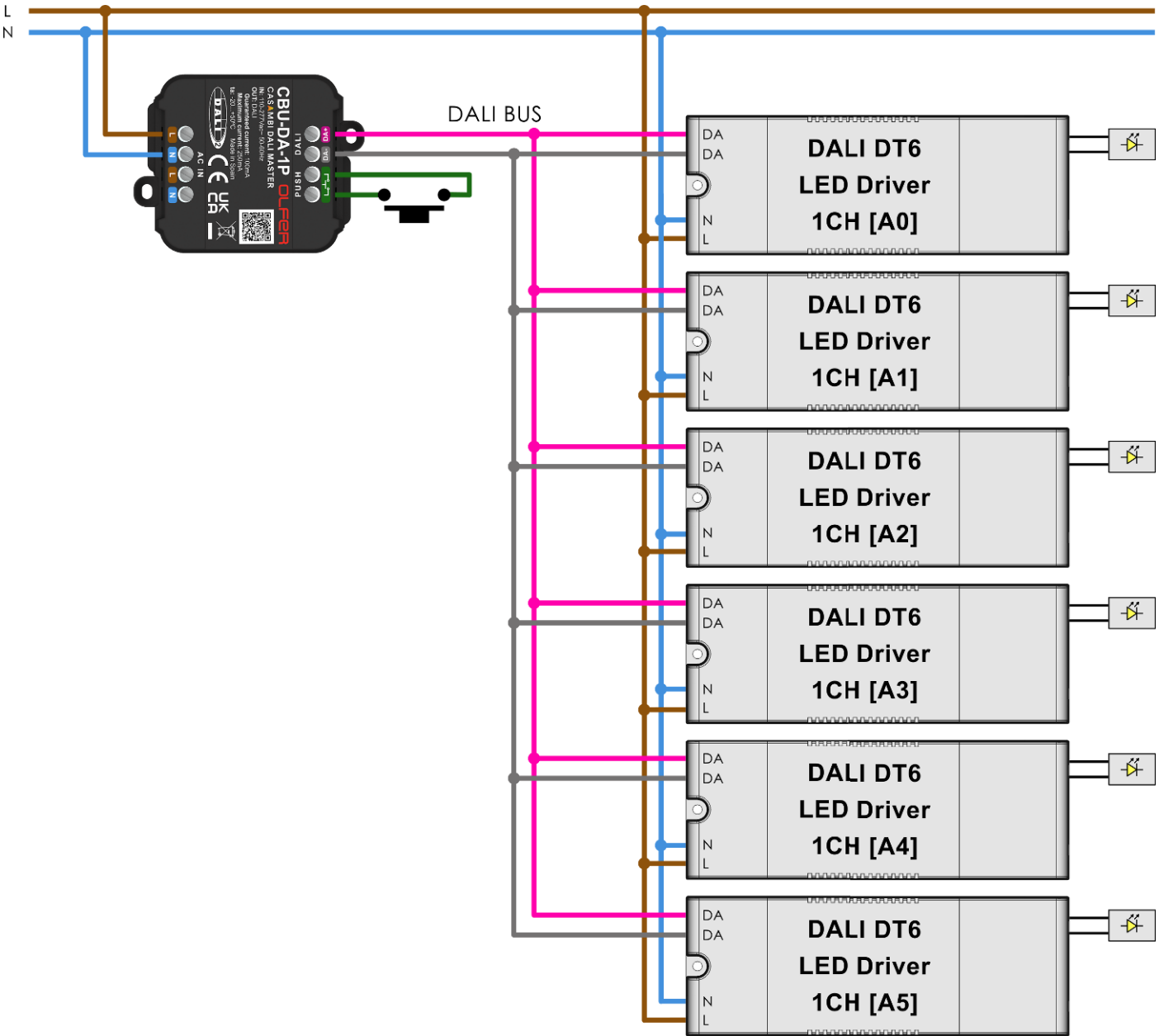


7



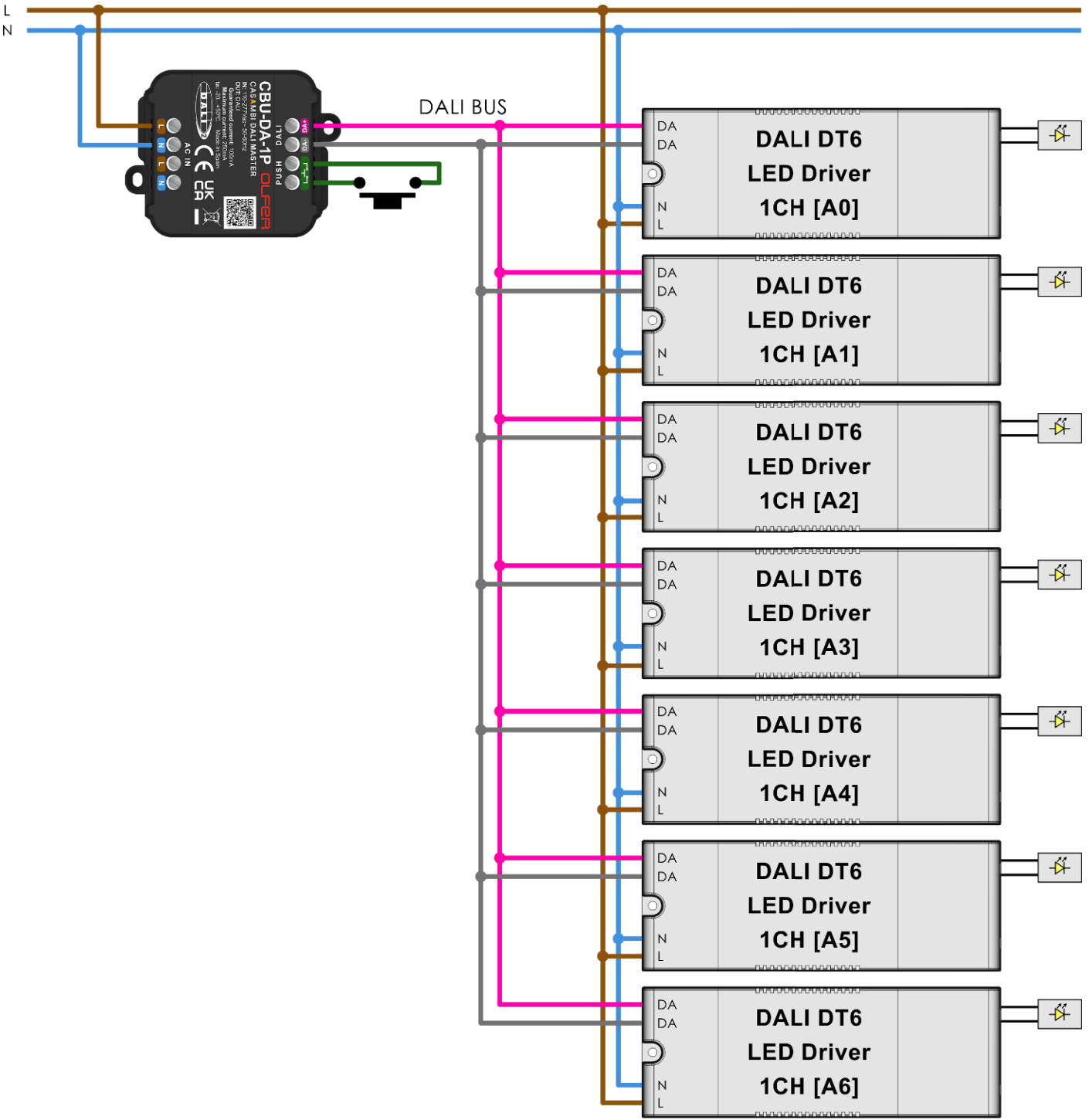


8



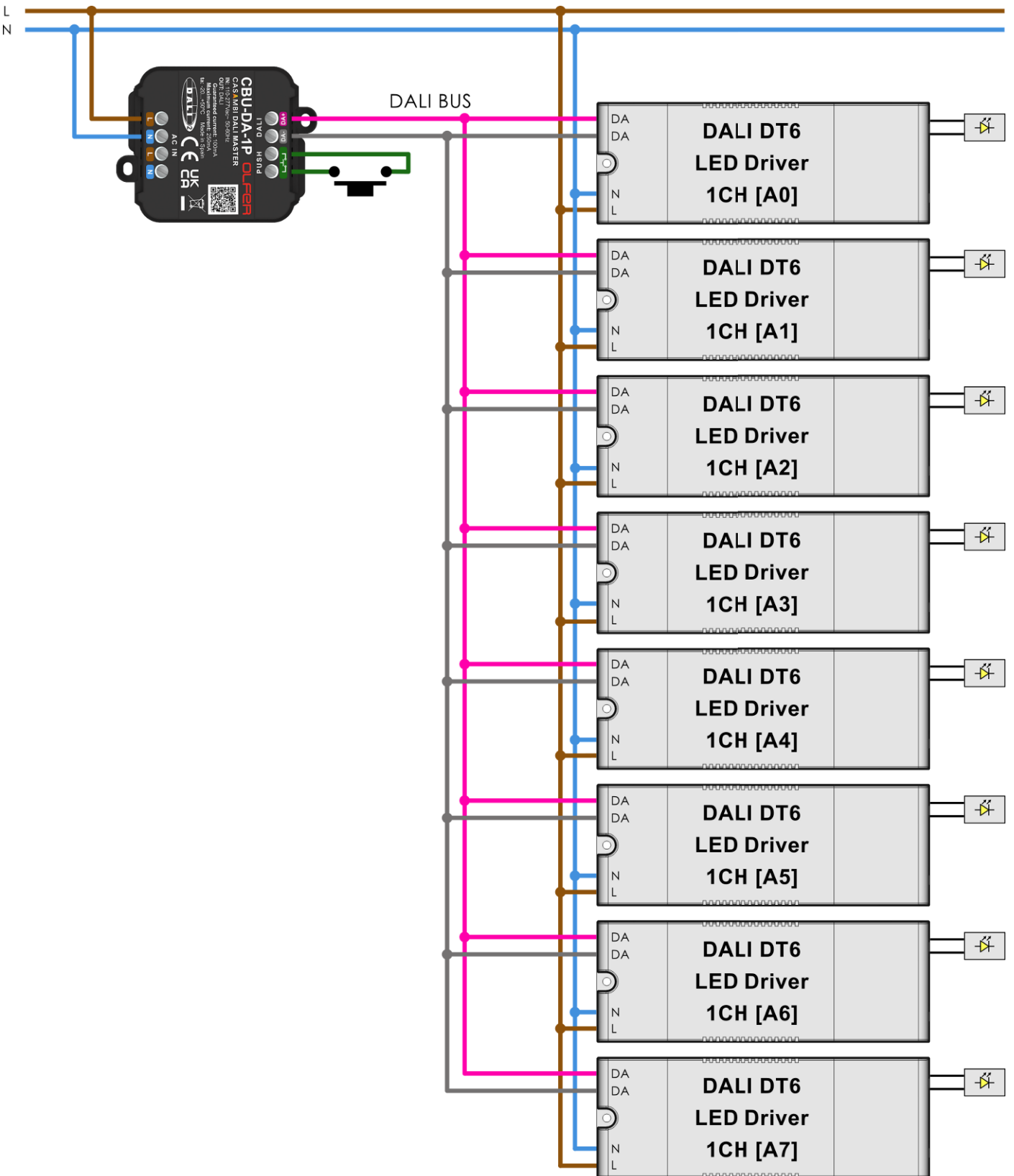


9



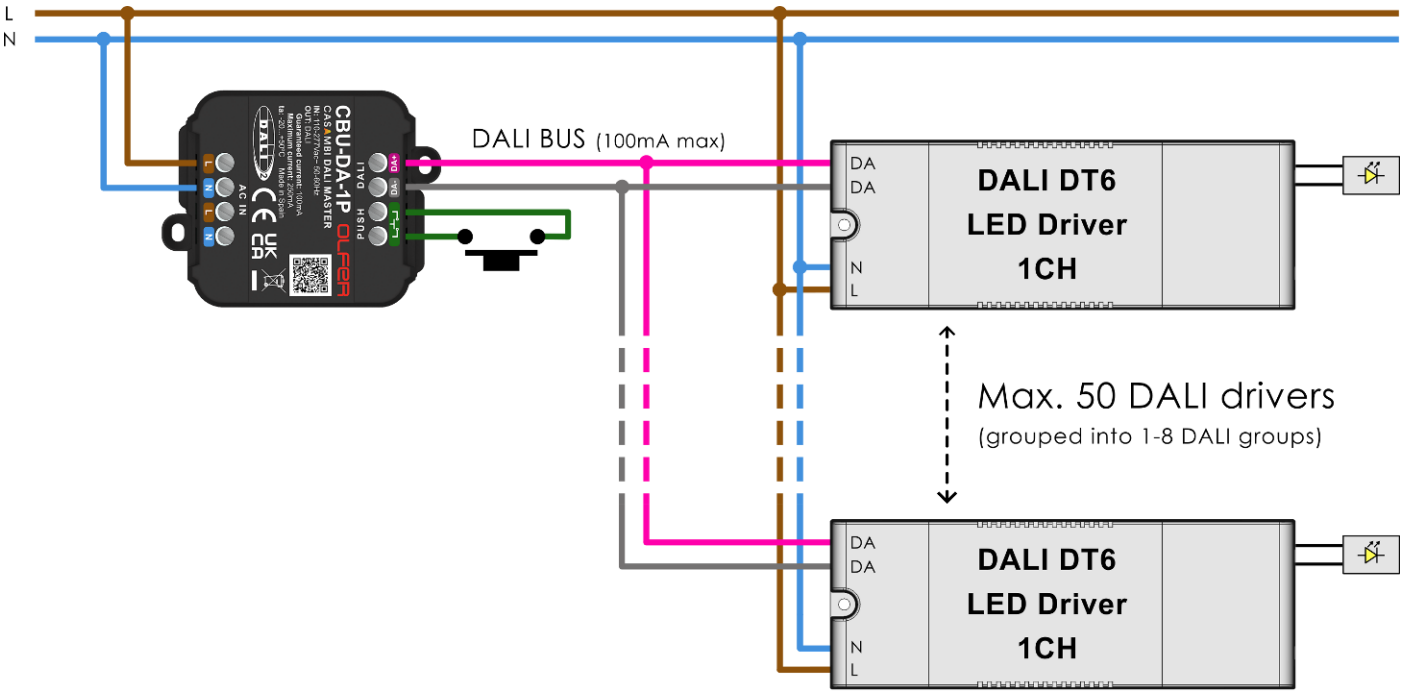


10

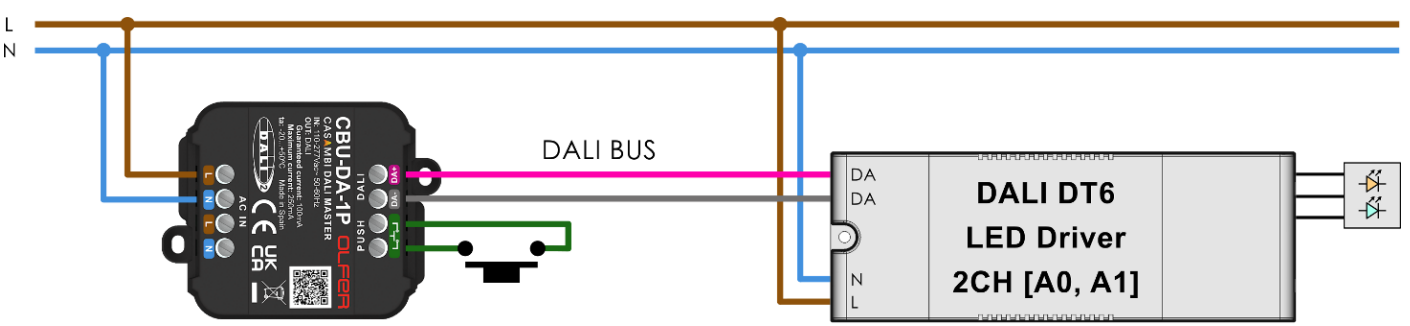




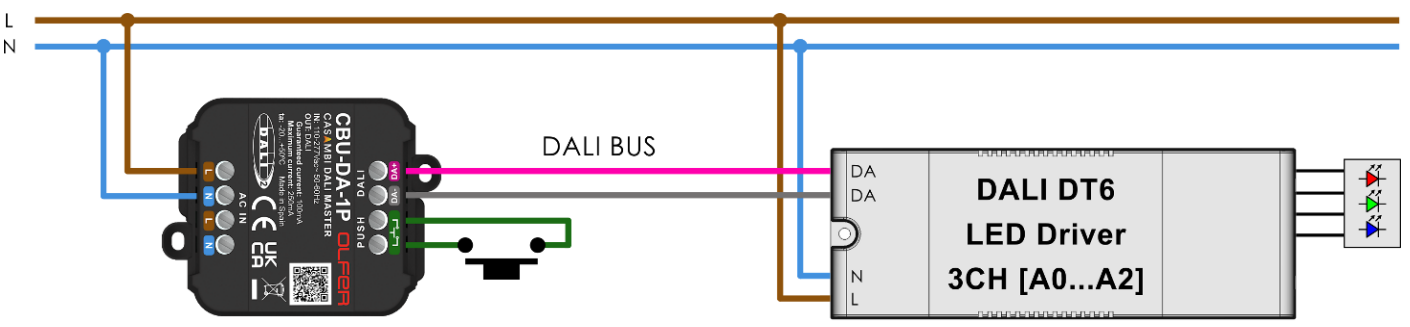
11



12

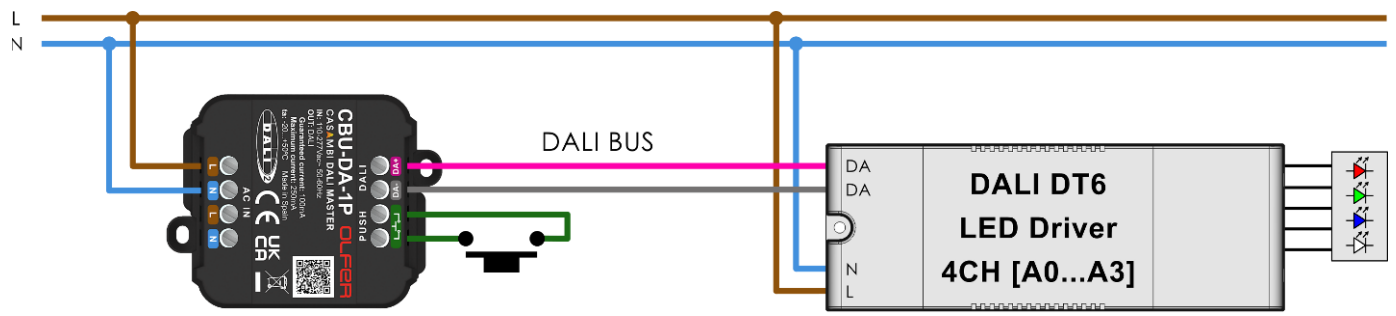


13

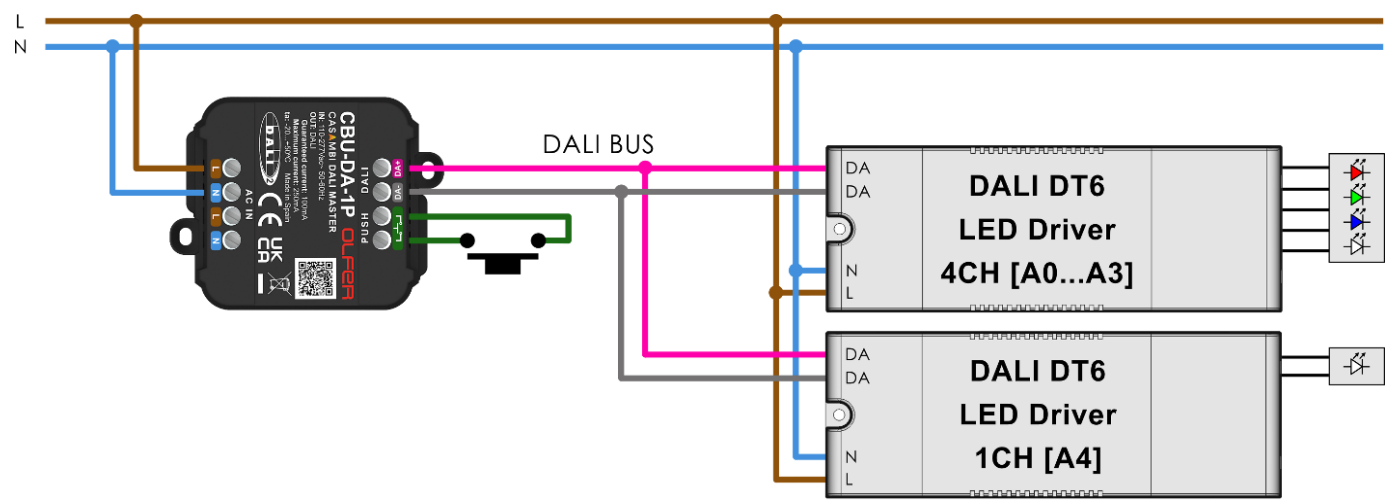




14



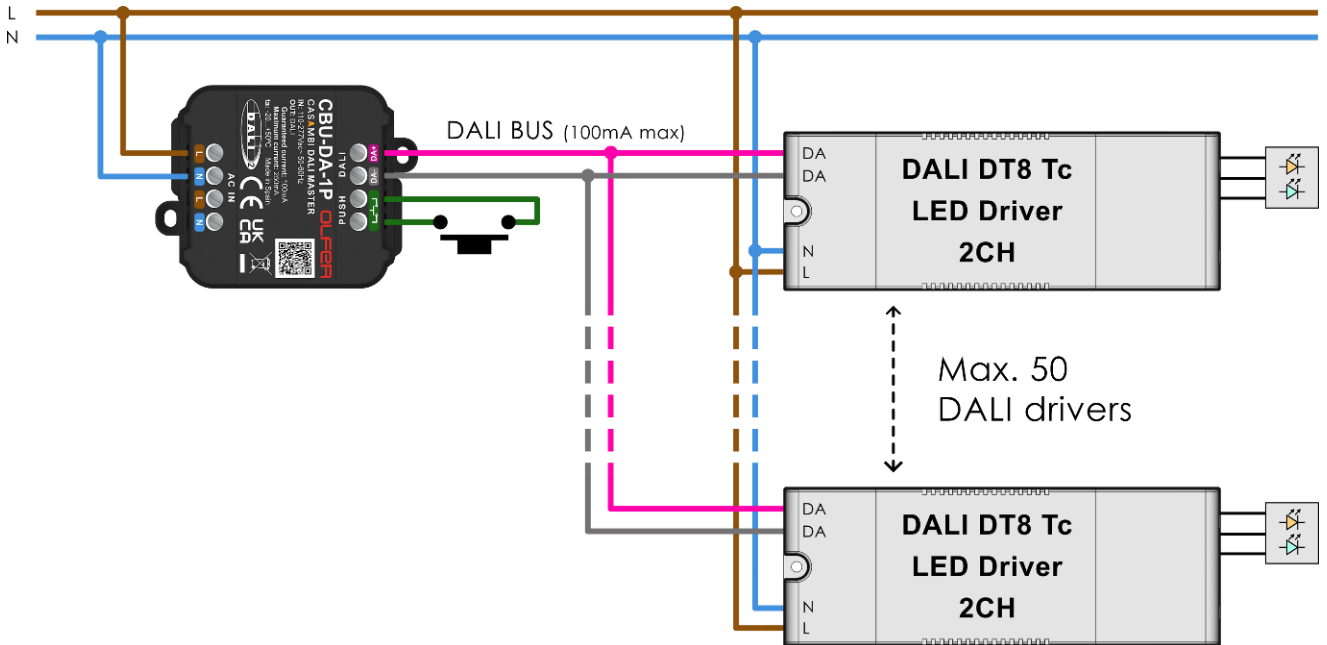
15



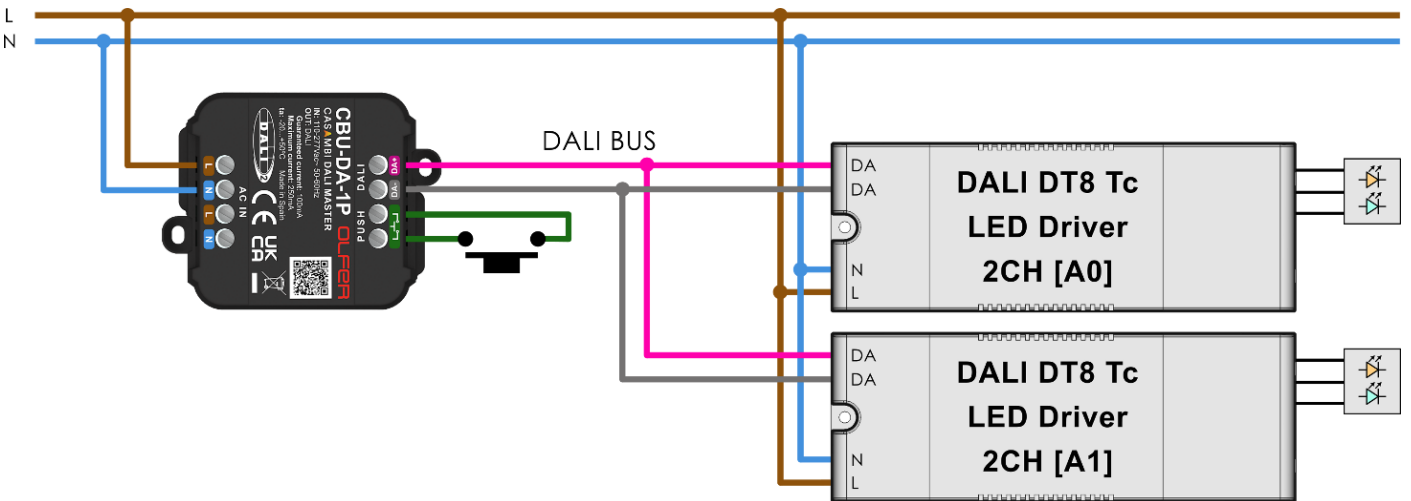


DALI DT8

16

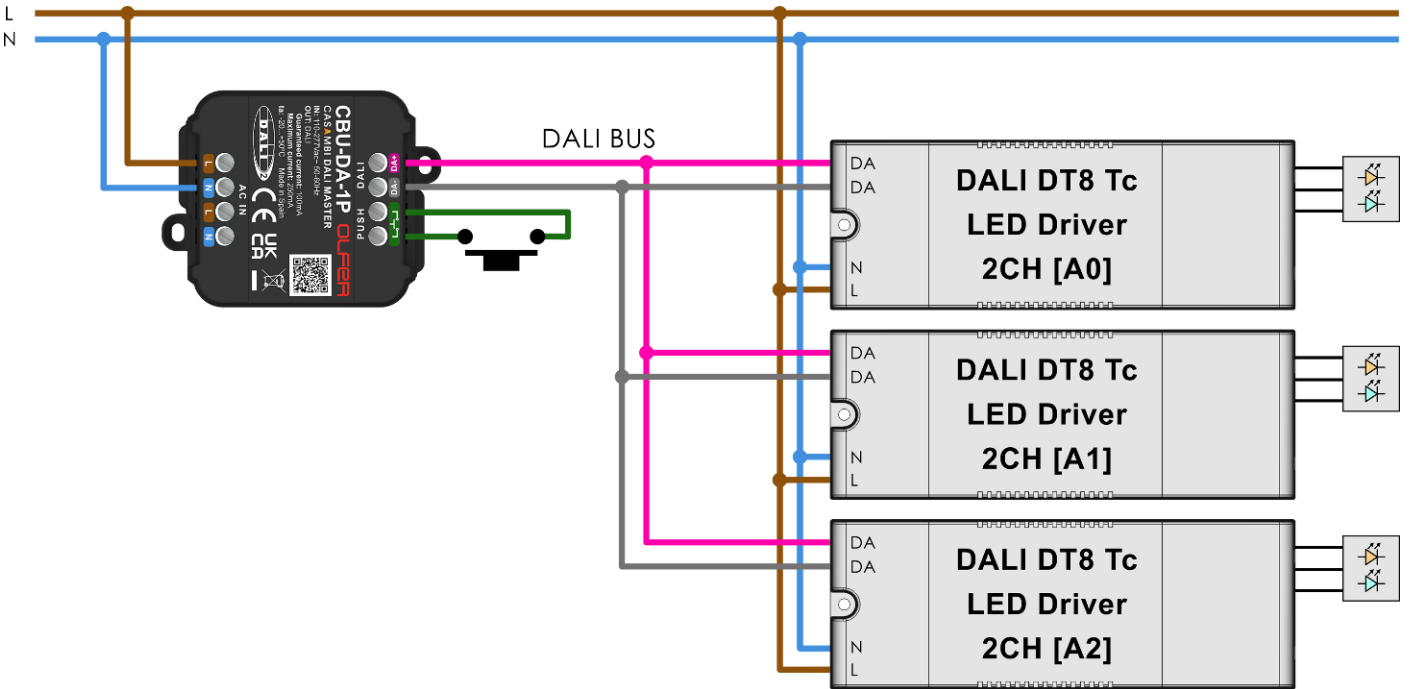


17

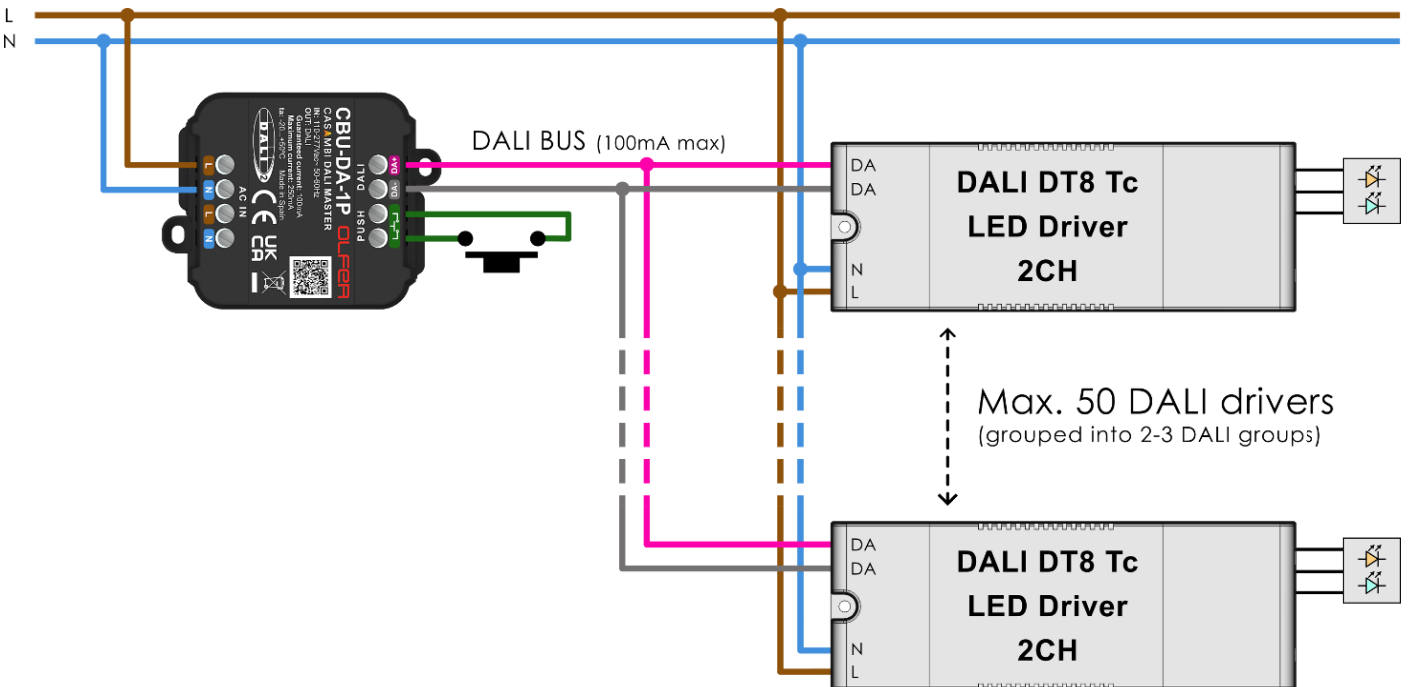




18

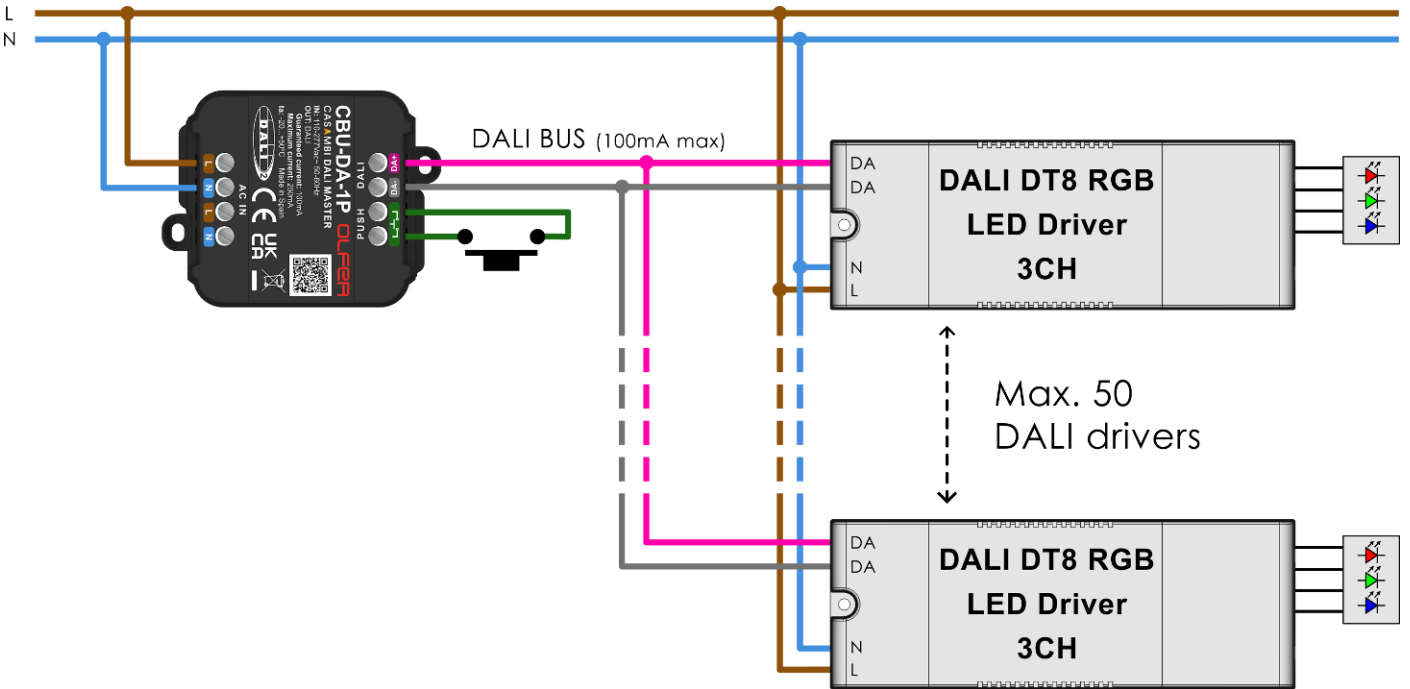


19

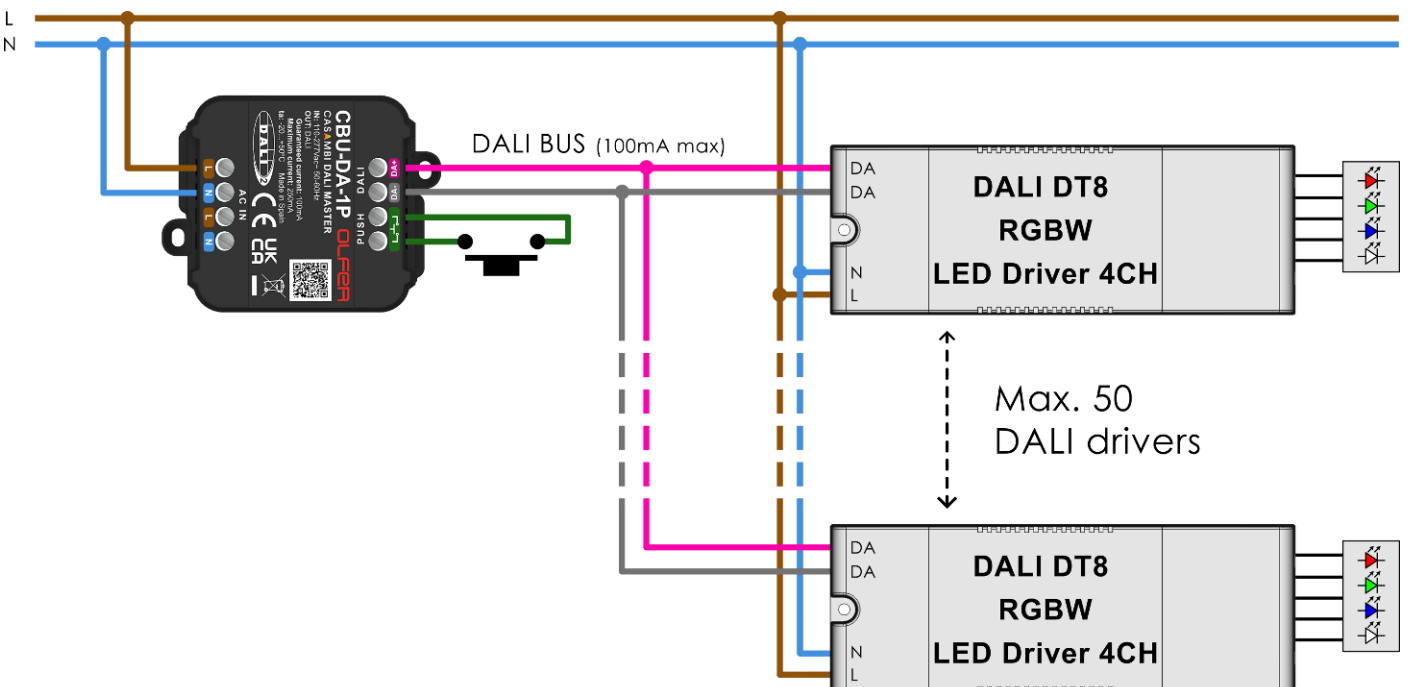




20

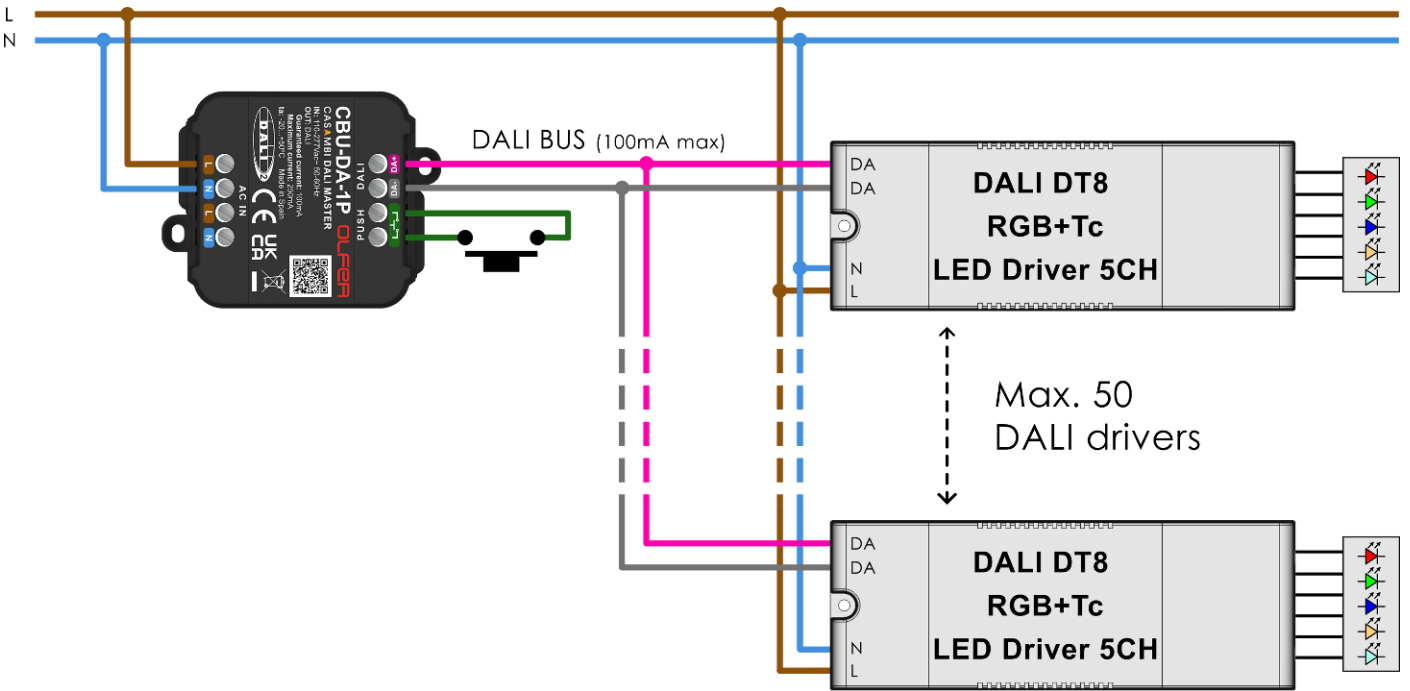


21

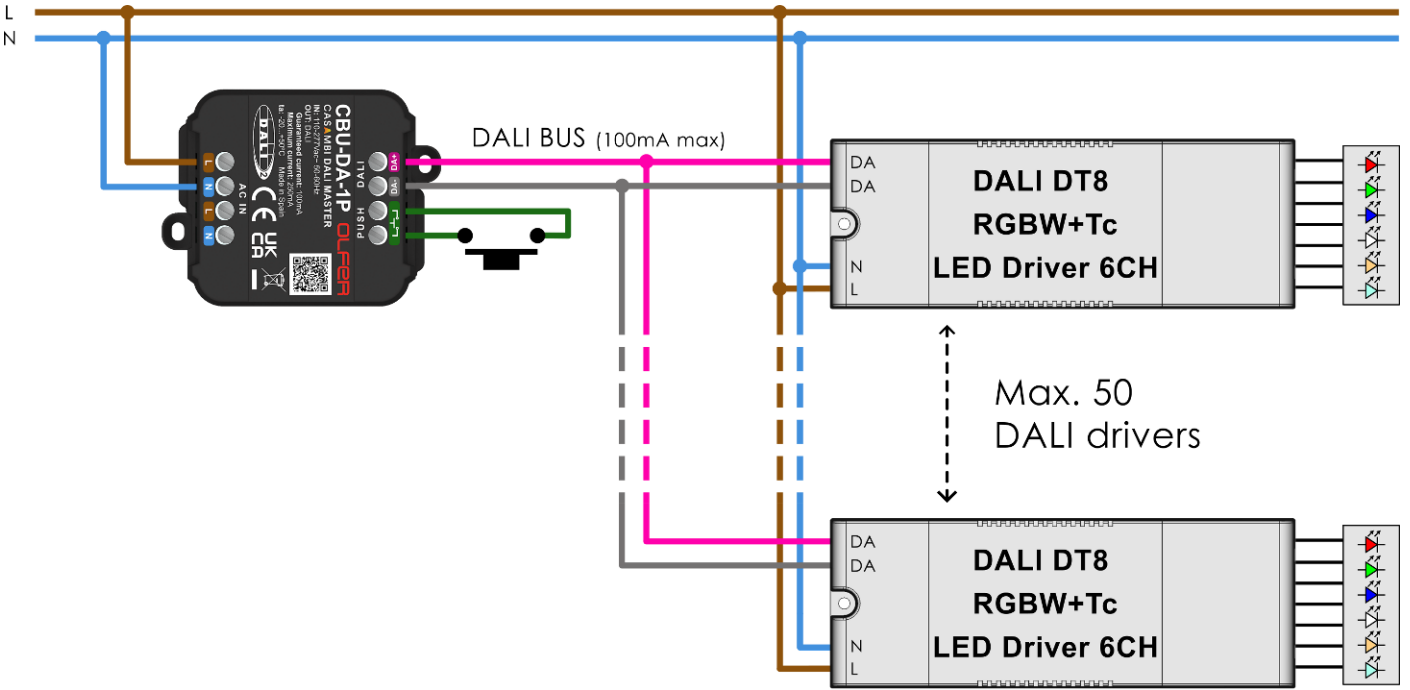




22

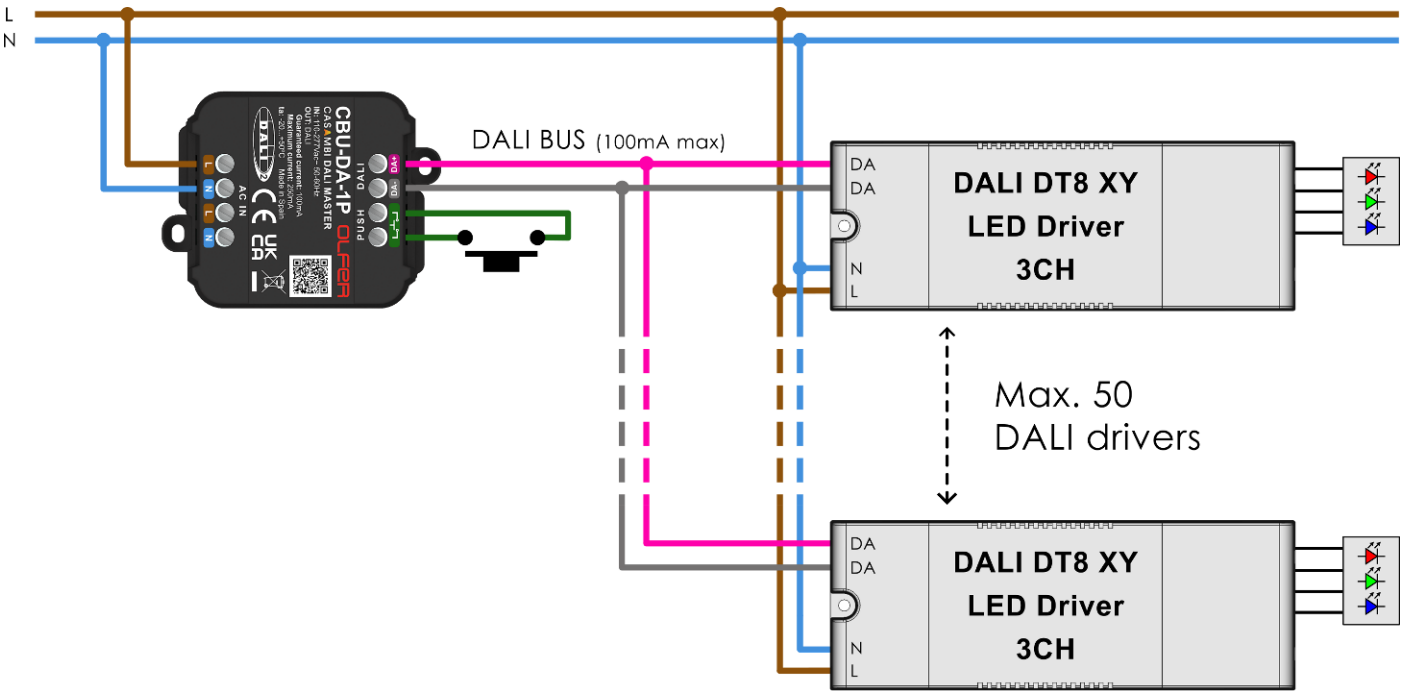


23

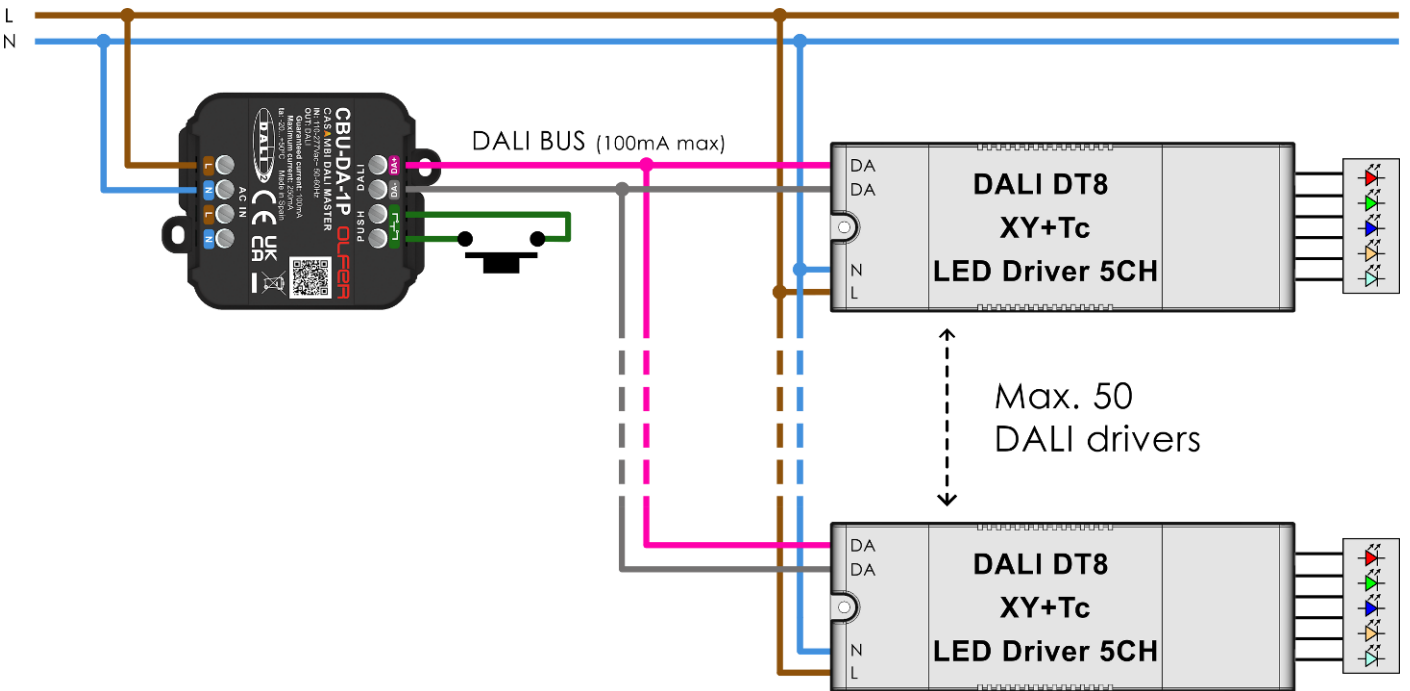




24



25





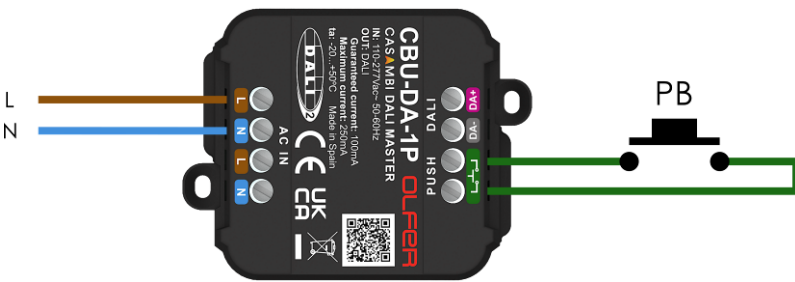
Miscellaneous

26

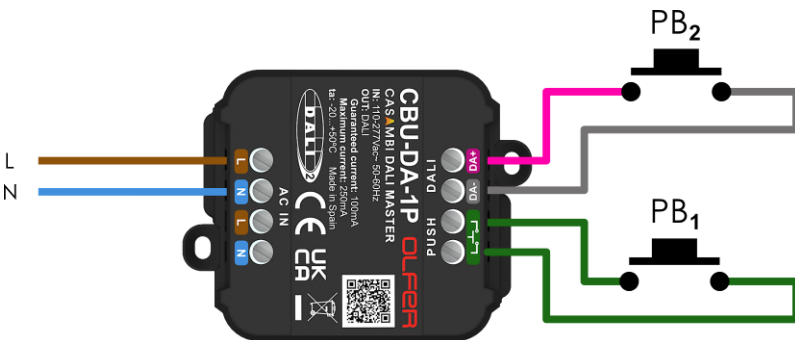


*DALI Master powered by DALI bus.
Before connecting CBU-DA-1P to a DALI line, please make sure that no other DALI Bus Power Supply is powering the bus.

27



28





Revision history

Date:	Version:	Description:
16/01/2024	1.0	Initial release.
19/03/2024	1.1	Added logarithmic fixtures.