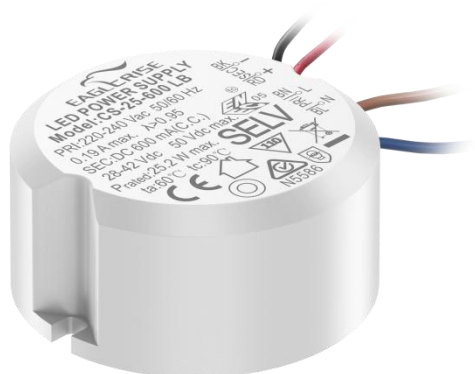
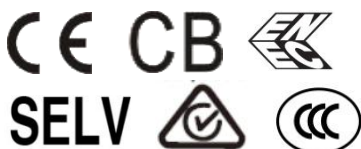


25W Constant Current -CS Series



■ Approve



Features

- Class II, SELV, Built-in
- Input Voltage 220-240VAC
- Protections: SCP/OLP/OVP
- Power Factor 0.95
- Efficiency $\geq 86\%$
- 3 years warranty

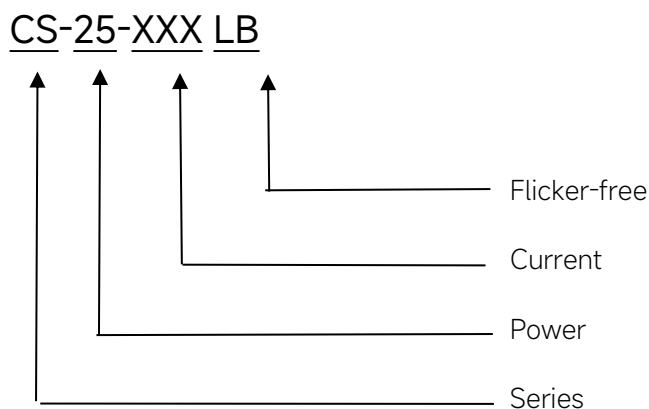
Applications

- Wall light
- COB light
- LED spot light

◆ Description

CS-25-XXX LB is a 25W constant current LED driver that operates from 176-264Vac input with 500/550/600mA output current. With its compact dimensions from $\Phi 55 \times 26\text{mm}$ it is easy to integrate in spot light, wall light and COB light products. To ensure trouble-free operation, protection is provided against output short circuit and over Load.

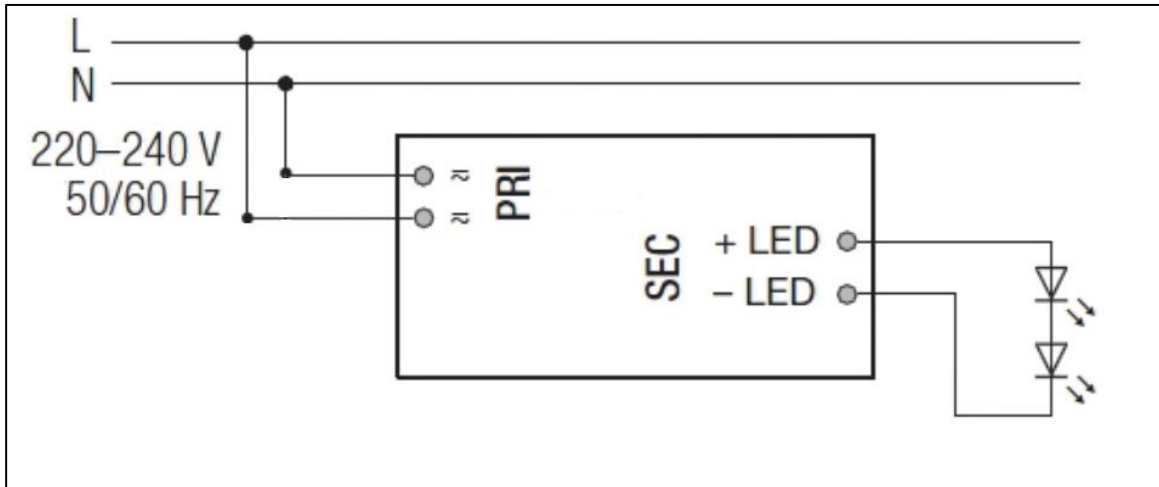
◆ Model code



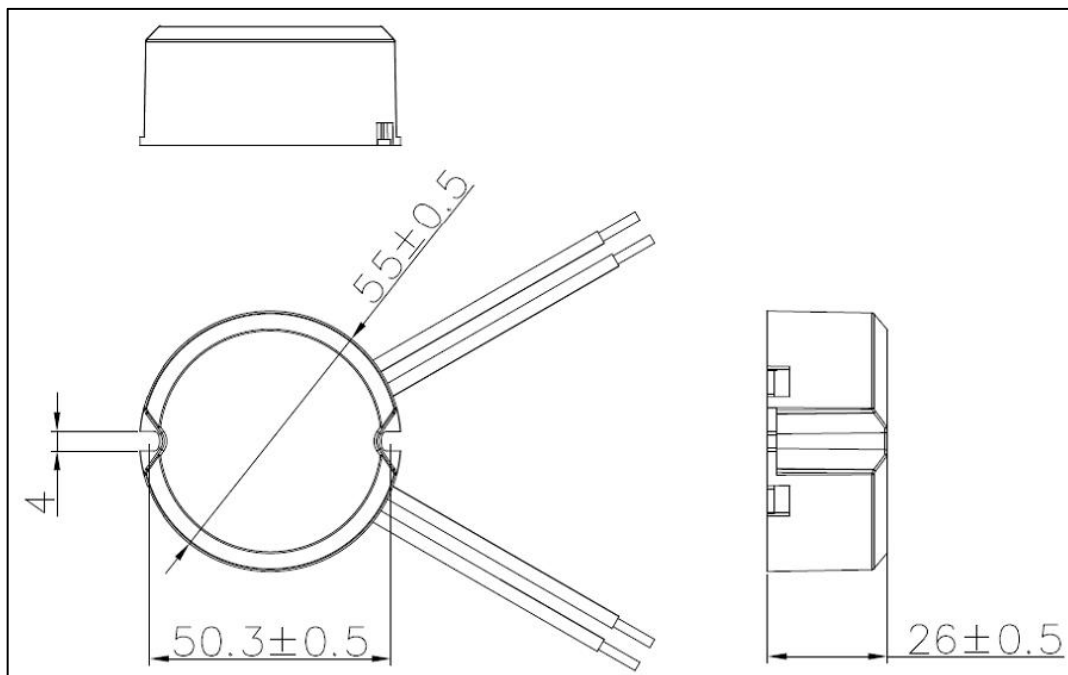
◆ Specification

Output	Constant Current	500mA	550mA	600mA
	Voltage Range	28-43VDC	28-42VDC	28-42VDC
	Unload voltage Max.	50VDC	50VDC	50VDC
	Current Accuracy	±5%		
	Output HF current ripple(≥1KHz)	±5%		
	Output LF current ripple(≤120Hz)	±5%		
	SVM	≤0.4		
	Pst	≤1		
	Efficiency(Typ.)	≥86%		
Input	Rated input voltage	220-240VAC		
	Range of input voltage	176-264VAC		
	Rated input voltage(DC)	176-280VDC		
	Frequency(Hz)	0/50/60 Hz		
	Displacement factor	≥0.9		
	Power Factor	0.95		
	Input Current max	0.16A		
	Start-up time	< 0.5S		
	No Load Power	≤0.5W		
	THD (Typ.)	< 10%		
Protection	Over Load Protection	103-120% YES/Auto Resume		
	Over Voltage Protection	> 50VDC YES/Auto Resume		
	Short circuit Protection	YES/Auto Resume		
Environment	Operating Temperature	-20°C~+60°C		
	Humidity	20%-90%RH		
	Tc	90°C		
	Storage Temperature	-25°C~+60°C		
	Life time	> 50000h@Tc=90°C,230VAC		
Surface	Dimension	Φ55X26(DXH)mm		
standards	EN 61347-1; EN61347-2-13; EN62384; EN55015; EN61000-3-2 ; EN61000-3-3; EN 61547;			
Others	ErP	EU 2019/2020		
	RoHS	RoHS (2011/65/EU) (EU)2015/863		
Note	1.All parameters NOT specially mentioned are measured at 240VAC input , full load and 25°C of ambient temperature. 2.Ripple & Noise are measured at 20MHz of bandwidth by using a 300mm twisted pair-wire terminated with a 0.1uF & 47 uF parallel capacitor.			

◆ **Wiring diagram**

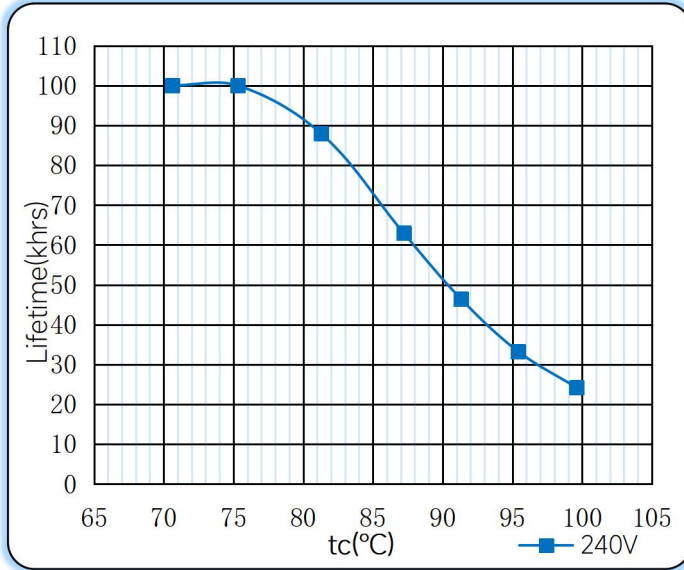


◆ **2D diagram**

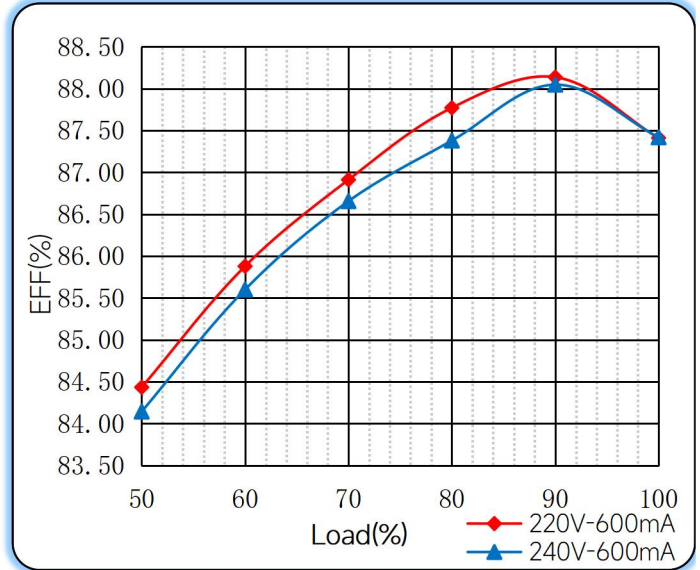


◆ **Curve for CS-25-600 LB, I_o=600mA**

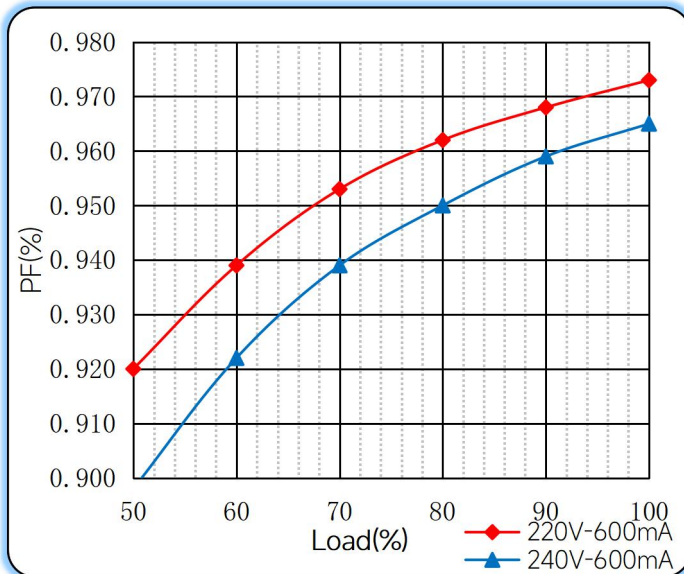
Lifetime vs. Temperature Curve



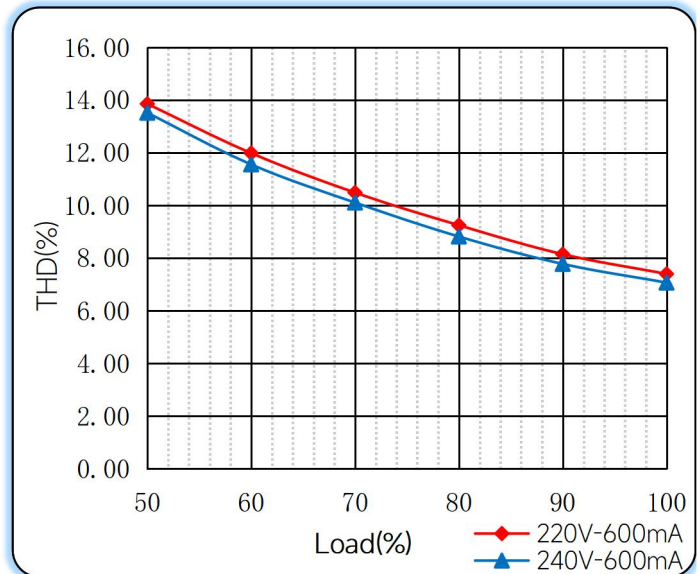
Efficiency vs. Load



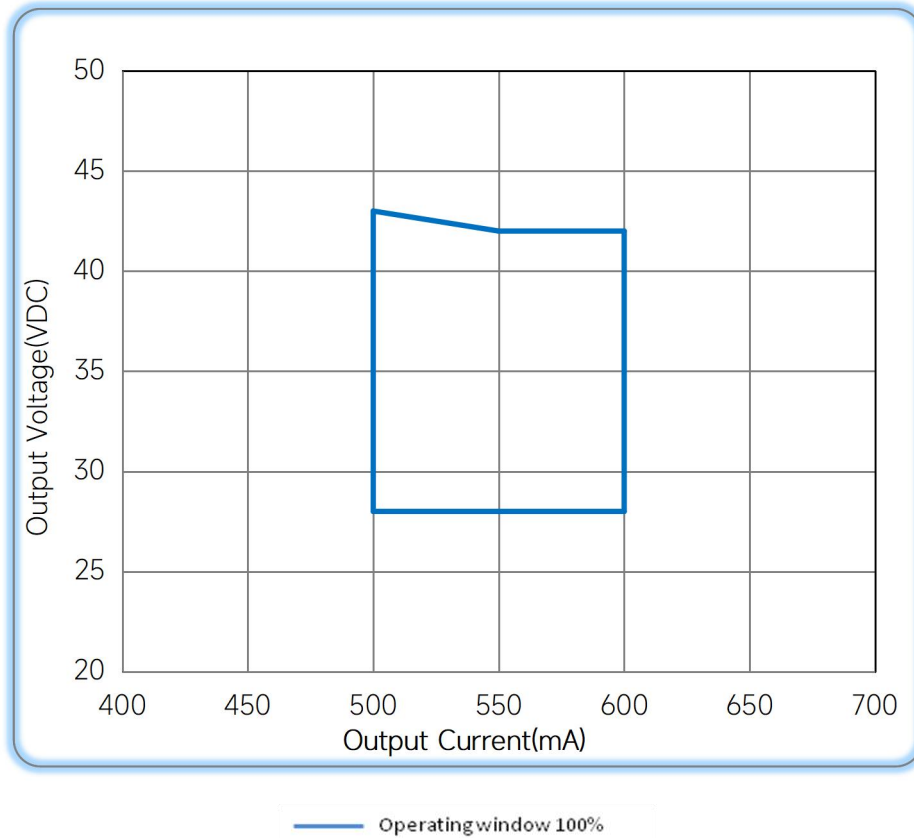
Power Factor Characteristics



THD vs. Load



◆ Operating window



◆ Revision Updates

ITEM	BEFORE	AFTER	VERSION	DATE
Initial			A	2022/05/15
Power Factor	0.95C	0.95	B	2023/07/25

Tel: +86-0757-86256822, +86-0757-86256831

E-mail: sales@eaglerise.com

Website : <https://lighting.eaglerise.com>



EAGLERISE



Manual