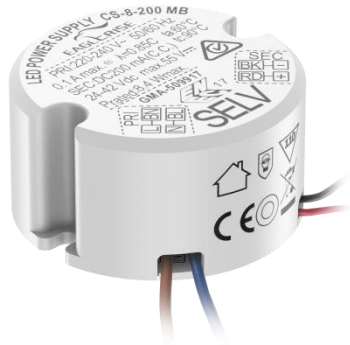


## 8W Constant Current -CS Series



■ Approve



### Features

- Class II, SELV, Built-in
- Input Voltage: 220-240VAC
- Protections: SCP/OLP/OVP
- Power Factor: 0.8C@120mA, 150mA, 180mA, 250mA, 300mA; 0.85C@200mA
- Efficiency: 78%
- 5 years warranty

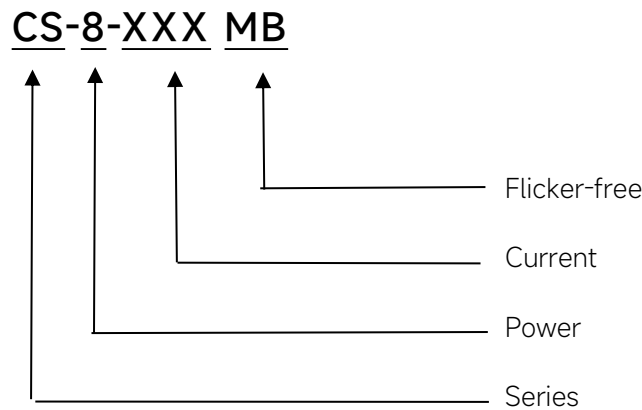
### Applications

- LED down light, LED spot light, LED ceiling light

### ◆ Description

CS-8-XXX MB is a 8W constant current LED driver with 120mA to 700mA output current. With its compact dimensions from  $\Phi 42 \times 22\text{mm}$  it is easy to integrate in LED down light, LED spot light, LED ceiling light products. To ensure trouble-free operation, protection is provided against output short circuit and over Load.

### ◆ Model code



## ◆ Specification

Output	Constant Current	120mA	150mA	180mA	...	700mA
	Voltage Range	24-42VDC			...	7-12VDC
	Unload voltage Max.	55VDC			...	20VDC
	Current Accuracy	±5%				
	Output HF current ripple(≥1KHz)	±3%				
	Output LF current ripple(≤120Hz)	±3%				
	SVM	≤0.4				
	Pst	≤1				
	Efficiency(Typ.)	≥81%			...	≥78%
Input	Rated input voltage	220-240VAC				
	Range of input voltage	198-264VAC				
	Frequency(Hz)	50/60 Hz				
	Displacement factor	≥0.9				
	Power Factor	0.8C@120mA,150mA,180mA,250mA,300mA 0.85C@200mA, ≥350mA				
	Input Current max	0.1A				
	Start-up time	< 0.5S				
	No Load Power	≤0.5W				
Protection	Over Load Protection	103-120% YES/Auto Resume				
	Over Voltage Protection	> 55VDC	> 55VDC	> 55VDC	...	> 20VDC
	Short circuit Protection	YES/Auto Resume				
Environment	Operating Temperature	-20°C~+60°C				
	Humidity	20%-90%RH				
	Tc	90°C				
	Storage Temperature	-20°C~+60°C				
	Life time	> 50000h@Tc=75°C,230VAC				
Surface	Dimension	Φ42X22(DXH)mm				
standards	EN 61347-1; EN61347-2-13; EN62384; EN55015; EN61000-3-2 ; EN61000-3-3; EN 61547;					
Others	ErP	EU 2019/2020				
	RoHS	RoHS (2011/65/EU) (EU)2015/863				
Note	1.All parameters NOT specially mentioned are measured at 230VAC input , full load and 25°C of ambient temperature. 2.Ripple & Noise are measured at 20MHz of bandwidth by using a 300mm twisted pair-wire terminated with a 0.1uF & 47 uF parallel capacitor.					

## ◆ Model list

Stock code : 002922

2 / 5

Article information 2022/ 05/15

REV: A

lighting.eaglerise.com

DZ-YF3-02-09A

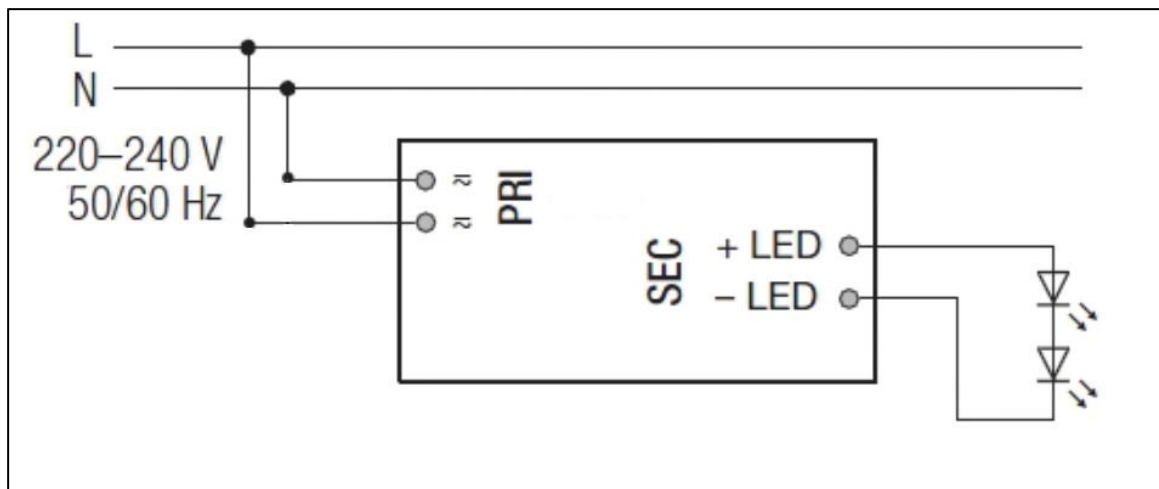
NO.	Model number	Input			Output			Max.Prated( W)
		Voltage (VAC)	Current (A)	Frequency (Hz)	Constant current (mA)	Normal working voltage (VDC)	No load working voltage (VDC)	
1	CS-8-120 MB	220-240	0.1	50/60	120	24-42	55	5
2	CS-8-150 MB				150	24-42	55	6.3
3	CS-8-180 MB				180	24-42	55	7.6
4	CS-8-200 MB				200	24-42	55	8.4
5	CS-8-250 MB				250	16-26	35	6.5
6	CS-8-300 MB				300	16-26	35	7.8
7	CS-8-350 MB				350	14-24	35	8.4
8	CS-8-400 MB				400	13-20	30	8
9	CS-8-450 MB				450	12-18	28	8.1
10	CS-8-500 MB				500	10-16	25	8
11	CS-8-700 MB				700	7-12	20	8.4

\* Factory default

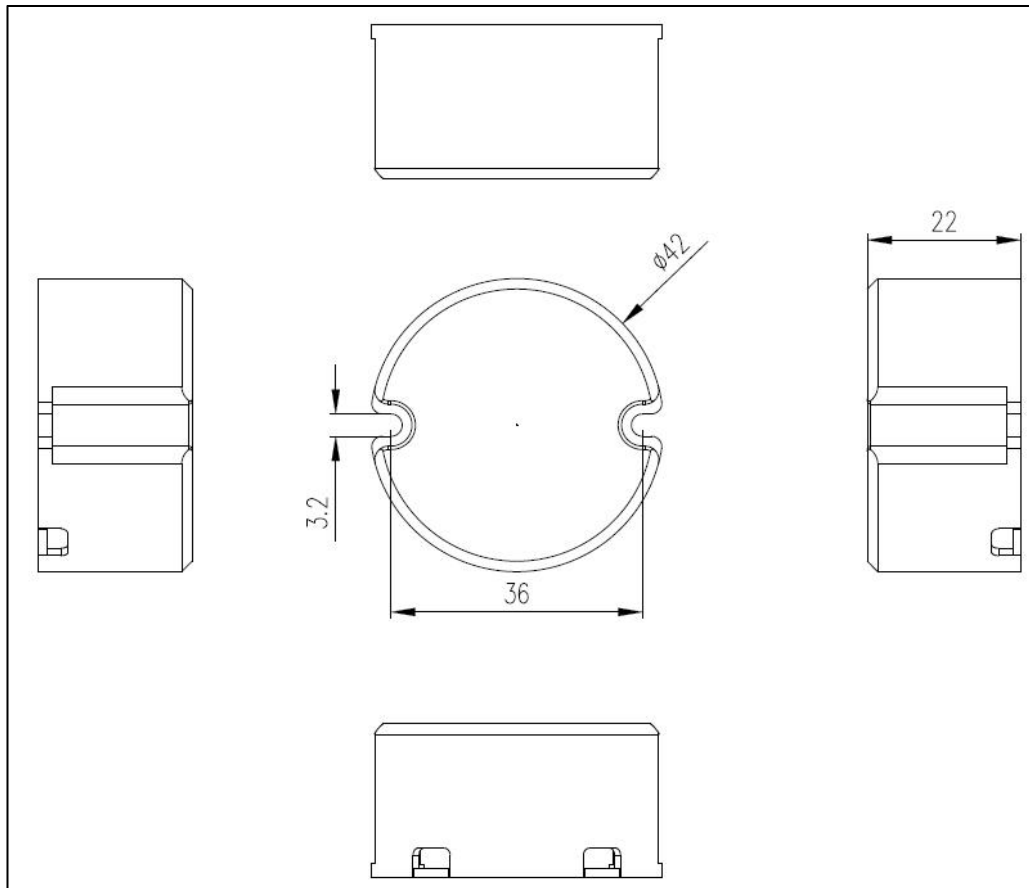
## ◆ Circuit Breaker

I <sub>peak</sub>	T <sub>width</sub>	B10	B16	B20	C10	C16	C20
10A	300μs	32pcs	26pcs	42pcs	44pcs	71pcs	88pcs

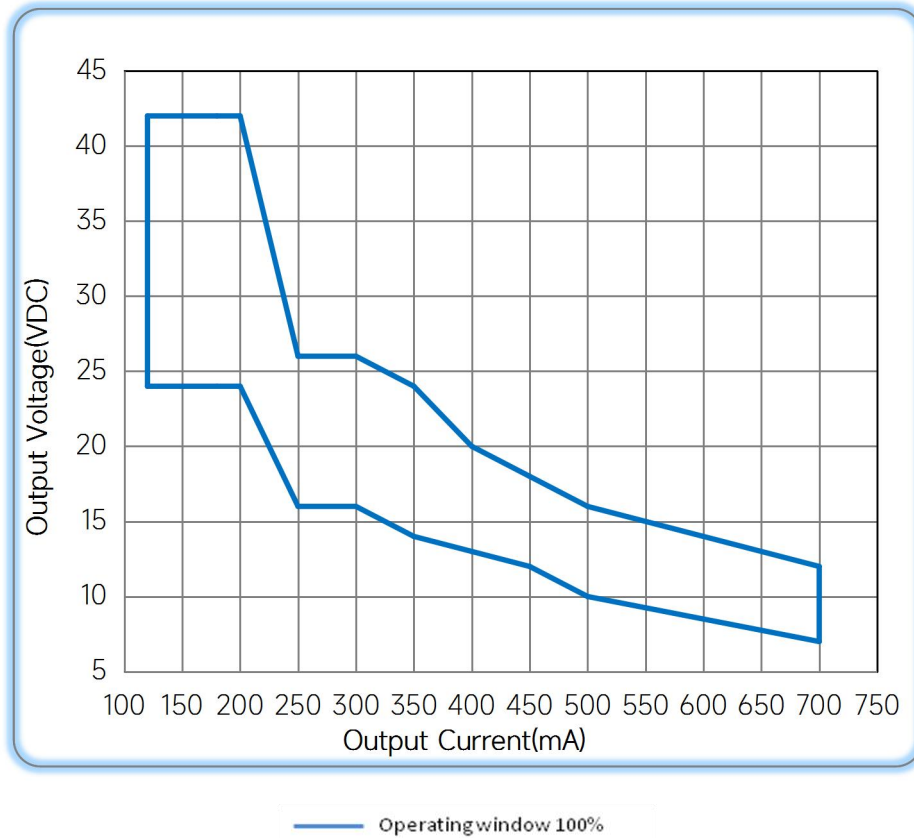
## ◆ Wiring diagram



◆ 2D diagram



### ◆ Operating window



### ◆ Revision Updates

ITEM	BEFORE	AFTER	VERSION	DATE
Initial			A	2022/05/15

Tel: +86-0757-86256822, +86-0757-86256831

E-mail: sales@eaglerise.com

Website : <https://lighting.eaglerise.com>



EAGLERISE



Manual