

PLCC Lightbar FPC LC Series Datasheet



Features :

- High Brightness SMD LED
- Low Power Requirement & Energy Efficient
- Suitable for Restricted Space

Typical Applications :

- Auditorium Walkway Lighting
- Stairway Accent Lighting
- Cabinet Lighting



Table of Contents

General Information.....	3
Mechanical Dimensions.....	4
Absolute Maximum Ratings	6
Electric-Optical Characteristics (T _J =25°C)	7
Product Packaging Information	8
Environmental Compliance	9
Application Notes.....	9
Revision History	10
About Edison Opto	10

General Information

Introduction

PLCC Lightbar FPC R is a strip of lighting module available in varying colors. Its flexible circuit board not only enables novel design thinking with bendable light source, but also offers a wide range of applications with dividable lighting segments.

Ordering Code Format

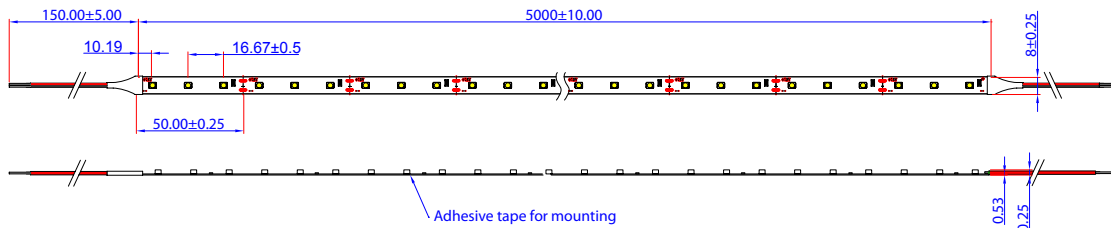
6
X1
L B R 2
X2
x W
X3
X
X4
x 0
X5
X
X6
x x 0
X7
x x
X8

X1		X2		X3		X4		X5	
Item		Series		Emitting Color		Driver		Length	
6	Module	LBR2	FPC (IP20)	CW	Cool White	I	CV 12V	D0	4.0M
				NW	Neutral White	J	CV 24V	E0	5.0M
				WW	Warm White				

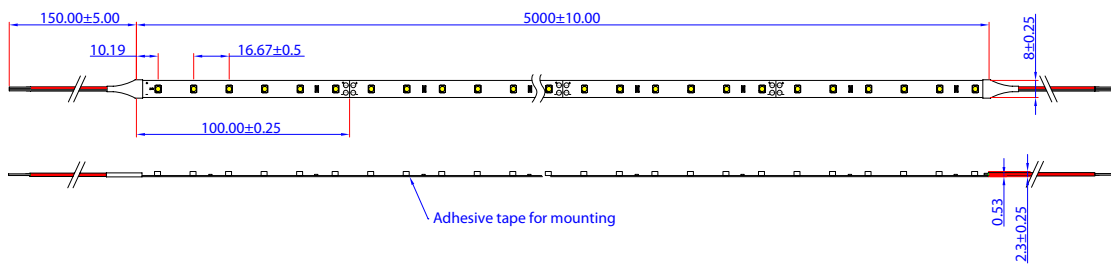
X6		X7		X8	
Emitter		Number of LEDs (M)		Serial No.	
J	3528	060	60pcs	xx	--
M	5050	120	120pcs		

Mechanical Dimensions

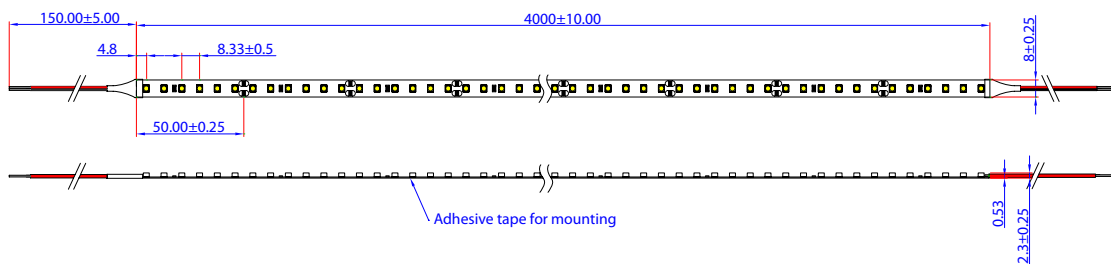
6LBR2xWIE0J0600x (3528 CV12V)



6LBR2xWJE0J0600x (3528 CV24V)



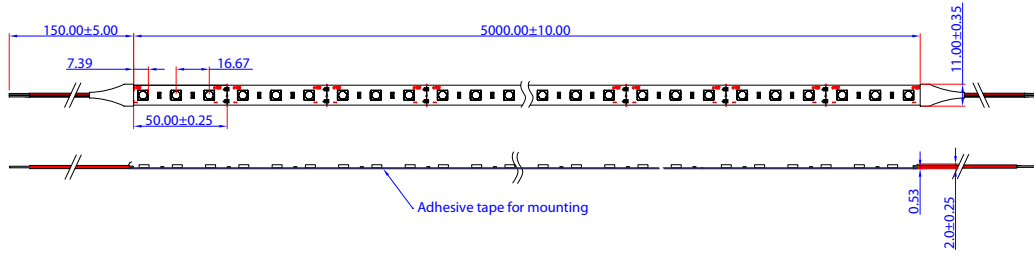
6LBR2xWJD0J1200x (3528 CV24V)



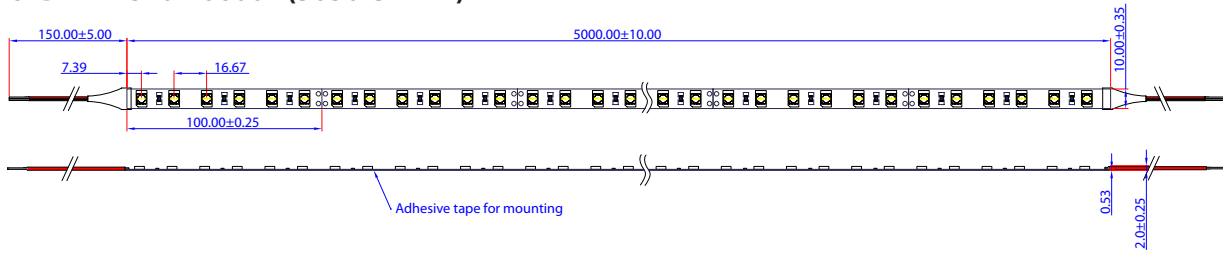
Notes:

1. All dimensions are in millimeters.
2. Tolerance is ± 0.20 mm

6LBR2xWIE0M0600x (5050 CV12V)



6LBR2xWJE0M0600x (5050 CV24V)



Notes:

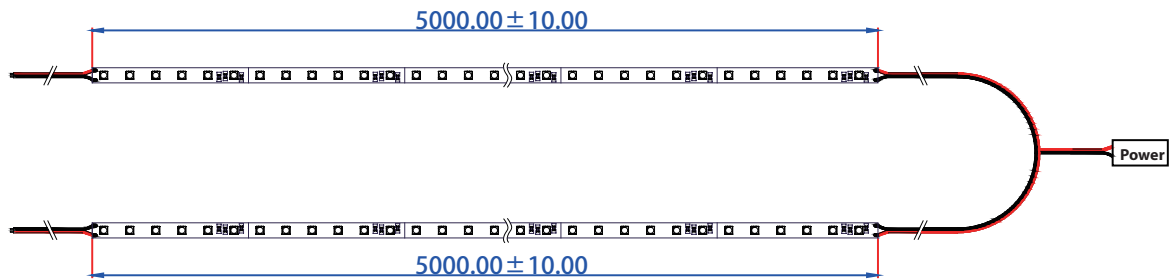
1. All dimensions are in millimeters.
2. Tolerance is ± 0.20 mm

Absolute Maximum Ratings

Parameter	Symbol	Value	Units
LED junction Temperature	T_j	125	°C
Operating Temperature	T_{opr}	-20 ~ +40	°C
Storage Temperature	T_s	-20 ~ +85	°C
Number of FPC Connection	-	15	M

Notes:

1. Proper current derating must be observed to maintain junction temperature below the maximum at all time.
2. LEDs are not designed to be driven in reverse bias.
3. Strongly recommended one power connection one set FPC, If over two set FPC recommended connection power between two FPC (Drawing).



Electric-Optical Characteristics (T_j=25°C)

6LBR2xWxx0J0x001 (3528 Series)

Order Code	Color	CCT (K)	Input Voltage (CV)	Typ. lm (M)	Number of LEDs (M)	Power (W/M)	Forward Current (mA/M)	CRI
6LBR2CWIE0J06001	Cool White	5000K~8000K	12	480	60	4.8	400	70
6LBR2NWIE0J06001	Neutral White	3800K~4500K	12	420	60	4.8	400	70
6LBR2WWIE0J06001	Warm White	2850K~3250K	12	360	60	4.8	400	80
6LBR2CWJD0J12001	Cool White	5000K~8000K	24	960	120	9.6	400	70
6LBR2NWJD0J12001	Neutral White	3800K~4500K	24	840	120	9.6	400	70
6LBR2WWJD0J12001	Warm White	2850K~3250K	24	720	120	9.6	400	80
6LBR2CWJE0J06001	Cool White	5000K~8000K	24	480	60	4.8	200	70
6LBR2NWJE0J06001	Neutral White	3800K~4500K	24	420	60	4.8	200	70
6LBR2WWJE0J06001	Warm White	2850K~3250K	24	360	60	4.8	200	80

6LBR2xWxE0M06001 (5050 Series)

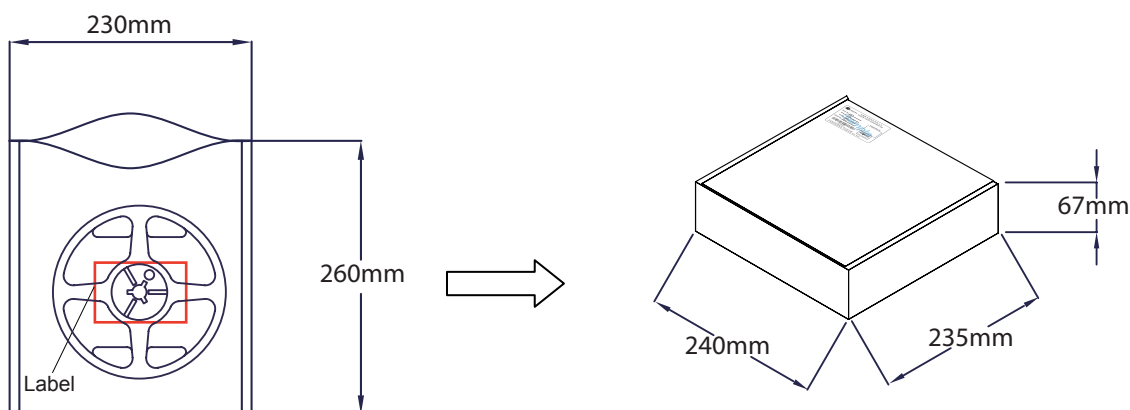
Order Code	Color	CCT (K)	Input Voltage (CV)	Typ. lm (M)	Number of LEDs (M)	Power (W/M)	Forward Current (mA/M)	CRI
6LBR2CWIE0M06001	Cool White	5000K~8000K	12	1200	60	14.4	1200	70
6LBR2NWIE0M06001	Neutral White	3800K~4500K	12	1080	60	14.4	1200	70
6LBR2WWIE0M06001	Warm White	2850K~3250K	12	960	60	14.4	1200	80
6LBR2CWJE0M06001	Cool White	5000K~8000K	24	1200	60	14.4	600	70
6LBR2NWJE0M06001	Neutral White	3800K~4500K	24	1080	60	14.4	600	70
6LBR2WWJE0M06001	Warm White	2850K~3250K	24	960	60	14.4	600	80

Note:
CCT and Forward Current are measured with an accuracy of $\pm 10\%$

Product Packaging Information

PLCC Lightbar FPC Material Description

Package Type	Part NO.	6LBU2xxxE0x060xx	Dimension
Antistatic bag		1 Reel	260mm x 230mm
Inside box		5 Antistatic bags	240mm x 235mm x 67mm
Outside box		10 Inside boxes	488mm x 364mm x 261mm

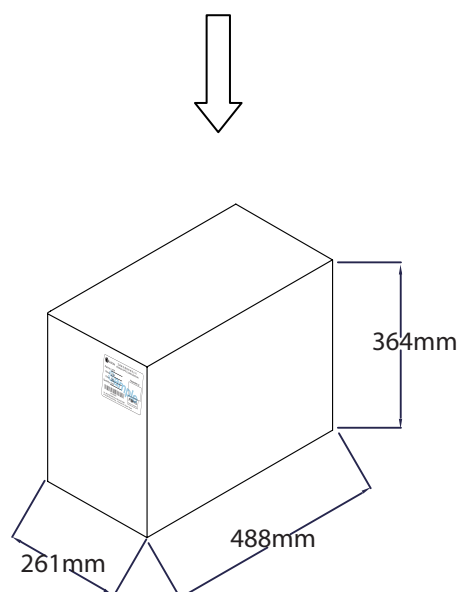


EX:

 艾笛森光電股份有限公司 EDISON OPTO CORPORATION	
Part No. : <u>6LBU2CWIE0J06001</u>	Inspected by: <input type="text"/> ROHS Directive Compliance
Color : <u>Cool White(W3F)</u>	
Quantity : <u>1 Reel(5M)</u>	
Lot No. : <u>D1201-12110022</u>	
 A410000005 Tel +86-2-82276996 Fax +86-2-8227-6997 4F No.800 Chung-Cheng .. Chung-Ho City Taipei. Taiwan	

Label information

Part NO. : Order code
 Color : Color(Emitter BIN color)
 Quantity : The number of packing
 Lot NO. : Date code



Environmental Compliance

PLCC lightbar FPC series are compliant to the Restriction of Hazardous Substances Directive or RoHS. The restricted materials including lead, mercury cadmium hexavalent chromium, polybrominated biphenyls (PBB) and polybrominated diphenyl ether (PBDE) are not used in PLCC lightbar FPC series to provide an environmentally friendly product to the customers.

Application Notes

PLCC Lightbar series are available in red, green, blue, white, neutral white and warm white for application such as under-cabinet lighting, cove lighting and wall washing. Moreover, additional fine-tuned high color rendering index (CRI) version of white, neutral white and warm white all make PLCC Lightbar the ideal lighting choice for vividly building or decoration products, presenting the products outline.

Revision History

Versions	Description	Release Date
1	Establish order code information	2014/10/31

About Edison Opto

Edison Opto is a leading manufacturer of high power LED and a solution provider experienced in LDMS. LDMS is an integrated program derived from the four essential technologies in LED lighting applications- Thermal Management, Electrical Scheme, Mechanical Refinement, Optical Optimization, to provide customer with various LED components and modules. More Information about the company and our products can be found at www.edison-opto.com

Copyright©2014 Edison Opto. All rights reserved. No part of publication may be reproduced or transmitted in any form or by any means, electronic or mechanical, including photo copy, recording or any other information storage and retrieval system, without prior permission in writing from the publisher. The information in this publication are subject to change without notice.

www.edison-opto.com

For general assistance please contact:
service@edison-opto.com.tw

For technical assistance please contact:
LED.Detective@edison-opto.com.tw