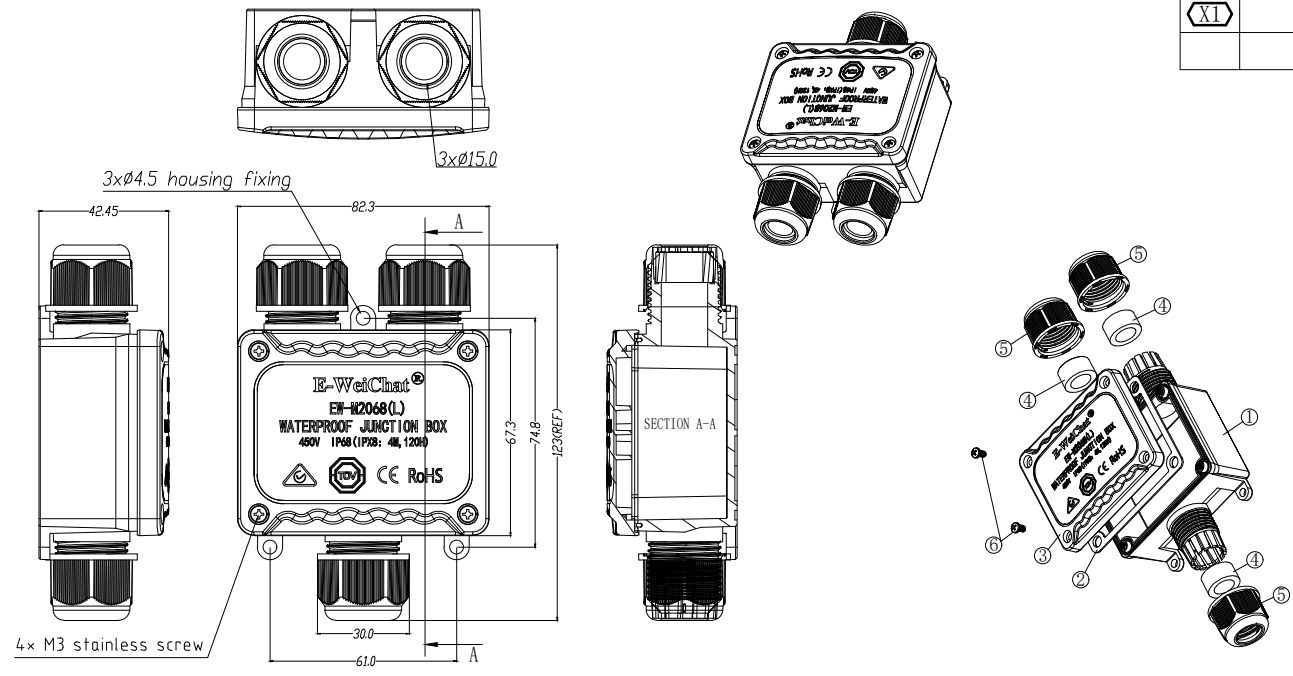


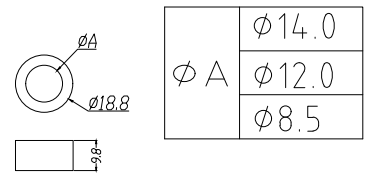
REV.	Description	Date
X1	New Drawing	November 15, 2019



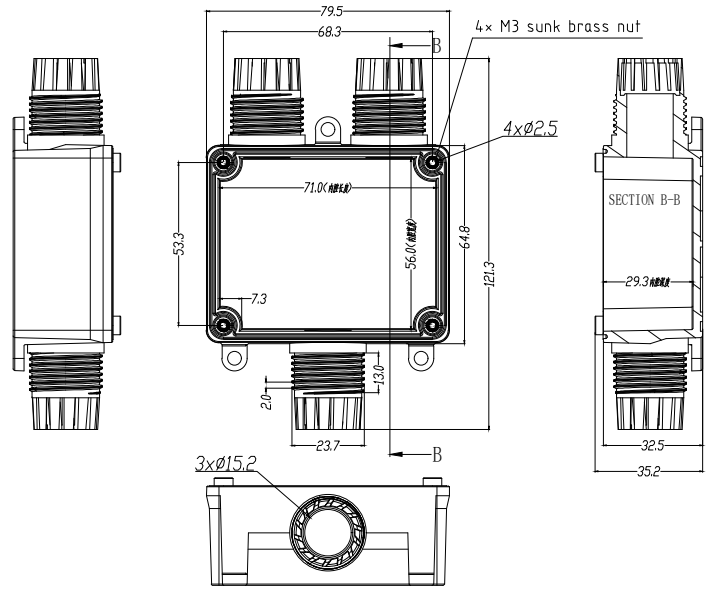
Material:
 1. material: PA66/Silicone
 2. Certificate: RoHS/TUV/SAA/CE
 3. No access for recycled material.
 4. Fire-Proof: UL94-V2

Appearance:
 1. No defect in appearance.
 2. Obvious flares, burrs, cracks, scratches and other superficial defects are not allowed.

Size requirements:
 1. Dimensions are subject to this drawing. (unit: mm)
 2. Other specific dimensions are based on the 3D files.
 3. Dimension with "*" mark should be manufactured
 4. Unlabeled tolerance/unit can be checked on the tolerance sheet.



④ Silicone parts



Other requirements:
 1. Product approval and modification should be approved by the design engineer.
 2. Chemical residues is not allowed.
 3. Water-proof level: IP68
 4. Performance parameters:
 A、Rated voltage/current: 450V/41A
 B、Testing Voltage: 2500V
 C、Suitable Wire Section: 0.5-6.0mm²
 D、Operating Temperature: -40~+105°C

⑥	M3 Screw	Stainless Steel	Natural Color	4
⑤	M25 Locking Nut	PA66	Black	3
④	Silicon Seal Ring	Silicone	Green	3
③	Top cover	PA66	Black	1
②	Silicone seal ring	Silicone	yellow	1
①	Housing	PA66	Black	1
No.	Product Name	Description	Quantity	

Unlabeled Tolerance			Projection	Unit	mm	Draw	PDH	Part No.	EW-M2068(L)-3Y
X.	±0.35	X.XX ±0.20							
X.X	±0.25	X.XXX ±0.10	X.X° ±1°	Scale	1:1	Check		DWG No.	EW-M2068(L)-3Y
			Draw No.	/	Sheet	1/1	Approve	Title	Waterproof Connector

