

EMC Filter



RoHS

FEATURES

- Meet IEC/EN61000-4 series standard and CISPR22/EN55022
- Meet railway industry EN50155 standard
- Input reverse polarity protection
- Efficiency up to 98%
- Mounting: PCB mounting, chassis mounting with screw terminals, DIN-Rail mounting

*This model applies to analog circuit which is noise-sensitive. Put FC-CxxD on to the input of DC/DC module can ensure the module meet the EMC request of EN50155 standard.*

*FC-CXXD used with the MORNSUN DC/DC railway module. DC/DC railway module's max. Input voltage must less than FC-CXXD's max. Voltage.*

Selection Guide

Model	Input Voltage Range (VDC)	Max. output power(W)
FC-C01D	40-160	10
FC-CX1D	40-160	30
FC-C03D	40-160	50

Note: series with suffix "A2S" are chassis mounting, with suffix "A4S" are DIN-Rail mounting, for example FC-C01DA4S.

Input Specifications

Item	Test Conditions	Min.	Typ.	Max.	Unit	
Input Voltage	Operating temperature range	40	110	160	VDC	
No-load Current	FC-C01D&FC-CX1D	110VDC @ No-load	--	--	1	mA
	FC-C03D		--	--	3	

Output Specifications

Item	Test Conditions	Min.	Typ.	Max.	Unit	
Efficiency	FC-C01D	110VDC @0.094A	--	98	--	%
	FC-CX1D	110VDC @0.276A	--	98	--	
	FC-C03D	110VDC @0.457A	--	98	--	
Max. Output Voltage Limit*	Operating temperature range	--	165	--	VDC	

Note: \* Products continue to work in the Max. Output Voltage Limit will be failures and damage.

General Specifications

Item	Test Conditions	Min.	Typ.	Max.	Unit
Operating Temperature		-40	--	85	°C
Storage Temperature		-55	--	125	
Storage Humidity		5	--	95	%
Casing Temperature Rise	110VDC @Full load	--	25	--	°C
Isolation Voltage	+Vin~ $\frac{1}{2}$ , -Vin~ $\frac{1}{2}$ , leakage current <5mA	--	--	1500	VAC
MTBF	MIL-HDBK-217F@40°C	--	1200	--	K hours

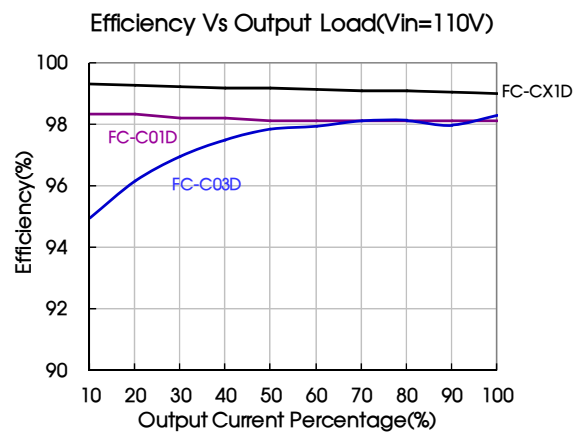
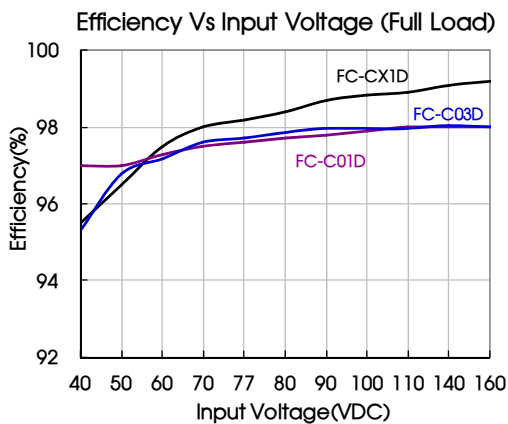
General Specifications

Casing Material		Black flame-retardant heat-proof epoxy resin (UL94-V0)	
Package Dimensions	FC-C01D	Horizontal package	50.80*25.40*15.16 mm
		A2S wiring package	76.00*31.50*24.96 mm
		A4S rail package	76.00*31.50*28.56 mm
	FC-CX1D&FC-C03D	Horizontal package	53.80*28.80*19.00 mm
		A2S wiring package	76.00*31.50*27.80 mm
		A4S rail package	76.00*31.50*32.40 mm
Weight	FC-C01D	Horizontal package/A2S wiring package/ A4S rail package	35g/55g/75g(Typ)
	FC-CX1D&FC-C03D		50g/70g/90g(Typ)

SAFE & EMC

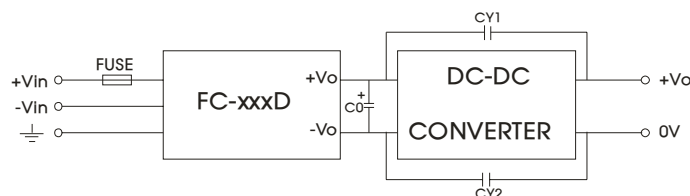
Item	Test Conditions	Test Procedure	
Shake	10 cycles in each axis Test time in each axis: 3 minute Frequency: 5-150Hz amplitude: 7.5mm acceleration: 10g	IEC/EN61373	
EMI	Conducted disturbance	150KHz-30MHz Class B (With MORNSUN's Module)	CISPR22,EN55022
	Radiated emission	30MHz-1GHz Class B (With MORNSUN's Module)	CISPR22,EN55022
EMS	Electrostatic discharge	Air ±8KV Contact ±6KV	perf. Criteria B IEC/EN61000-4-2,GB/T17626.2
	Radiation immunity	10V/m (With MORNSUN's Module)	perf. Criteria B IEC/EN61000-4-3,GB/T17626.3
	Conducted disturbance immunity	10V (With MORNSUN's Module)	perf. Criteria B IEC/EN61000-4-6,GB/T17626.6
	EFT	±4KV (5KHz,100KHz)	perf. Criteria B IEC/EN61000-4-4,GB/T17626.4
	Surge immunity	±2KV(1.2µs/50µs 2 Ω)/±4KV(1.2µs/50µs 12 Ω)	perf. Criteria B IEC/EN61000-4-5,GB/T17626.5

Product Typical Curve

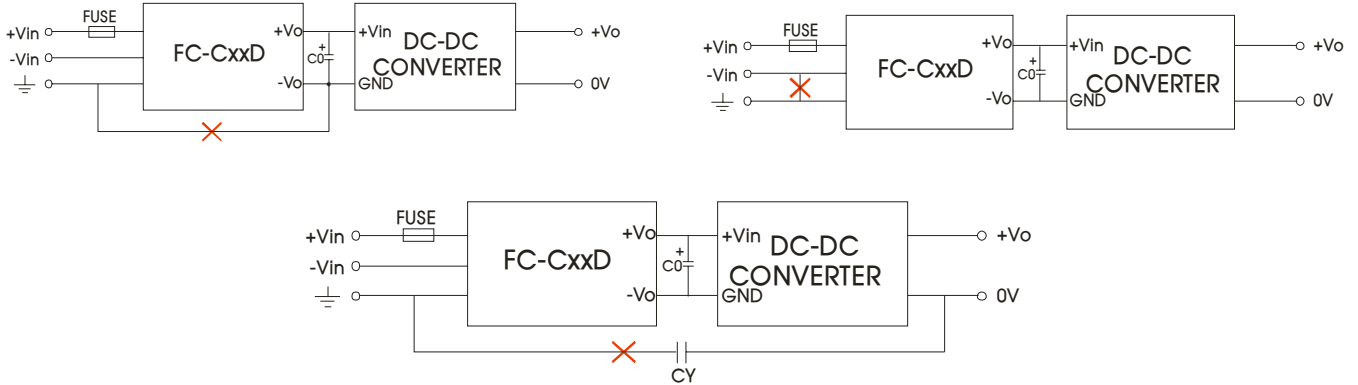


Design Reference

1. Typical application



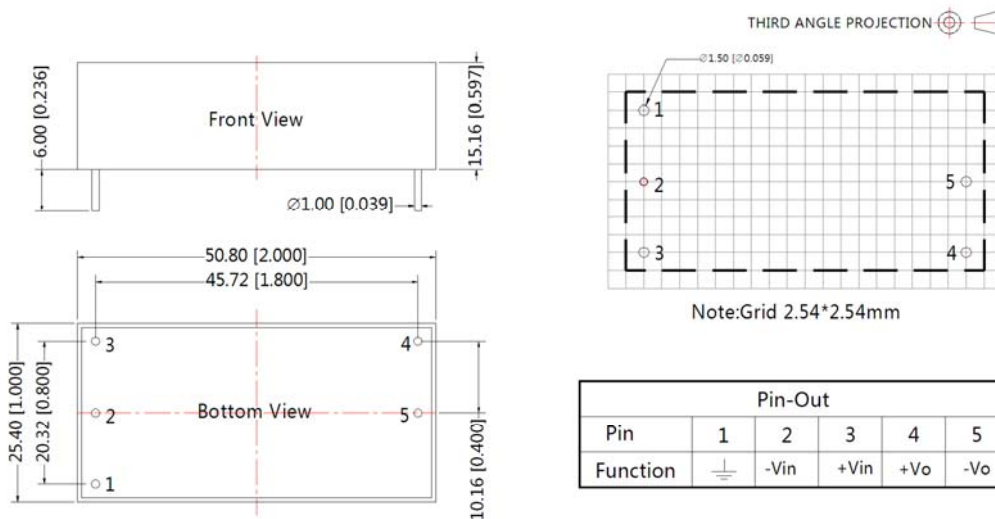
Model	Recommended external circuit parameters	
C0	FC-C01D&FC-CX1D	Recommend to use 100uF/200V electrolytic capacitor
	FC-C03D	Recommended to use 200uF/400V electrolytic capacitors in parallel
CY1, CY2	1nF/2000V	
FUSE	Due to the difference of the power module input current, the fuse of the recommended values, please refer to the Technical Manual for the power module	



Note: These applications is not supported for this model.

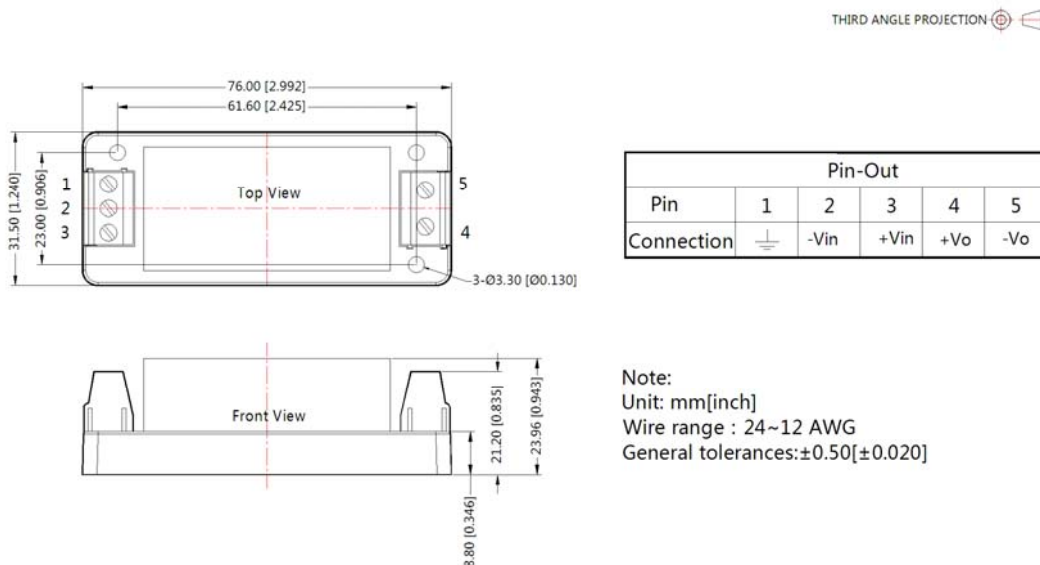
2. For more information Please find the application notes on [www.mornsun-power.com](http://www.mornsun-power.com)

FC-C01D Dimensions and Recommended Layout



Note:  
Unit :mm[inch]  
Pin diameter tolerances : $\pm 0.10[\pm 0.004]$   
General tolerances: $\pm 0.50[\pm 0.020]$

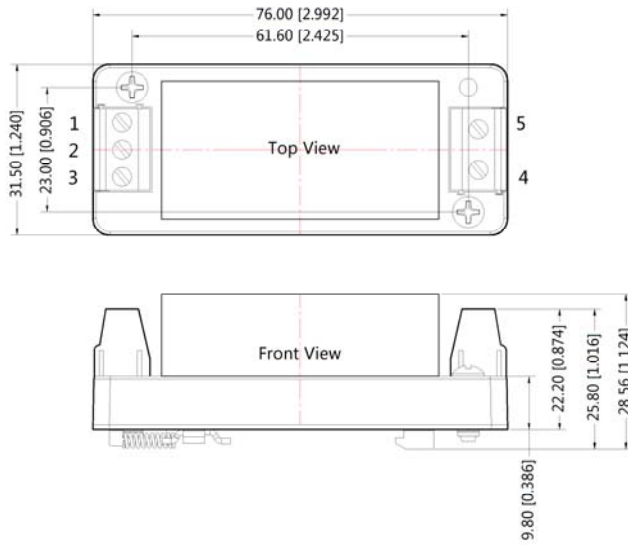
FC-C01DA2S Dimensions



Note:  
Unit: mm[inch]  
Wire range : 24~12 AWG  
General tolerances: $\pm 0.50[\pm 0.020]$

FC-C01DA4S Dimensions

THIRD ANGLE PROJECTION

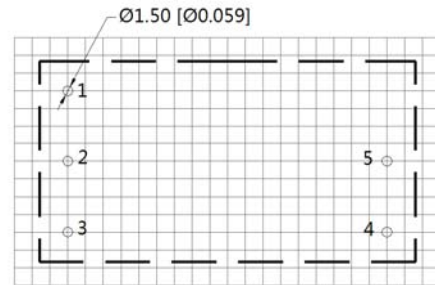
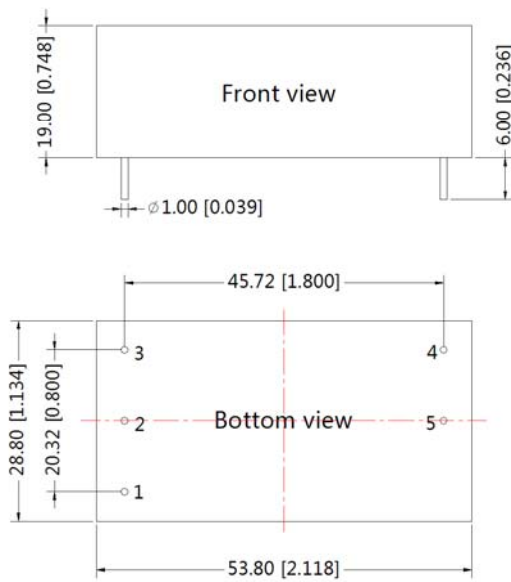


Pin-Out					
Pin	1	2	3	4	5
Connection		-Vin	+Vin	+Vo	-Vo

Note:  
Unit: mm[inch]  
Wire range : 24~12 AWG  
General tolerances:±0.50[±0.020]

FC-CX1D&FC-C03D Dimensions and Recommended Layout

THIRD ANGLE PROJECTION



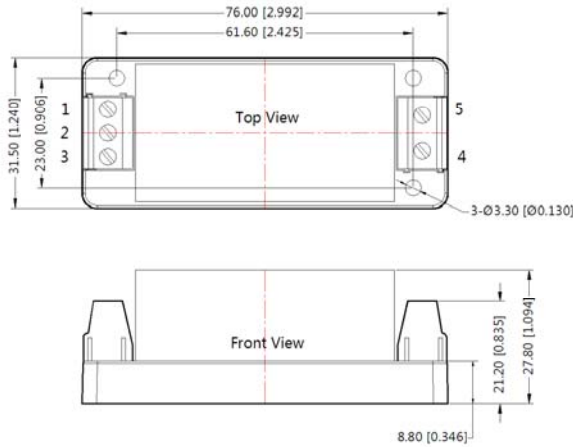
Note : Grid 2.54\*2.54mm

Pin-Out	
Pin	Function
1	
2	-Vin
3	+Vin
4	+Vo
5	-Vo

Note:  
Unit :mm[inch]  
Pin diameter tolerances :±0.10[±0.004]  
General tolerances:±0.50[±0.020]

FC-C01DA2S & FC-B02DA2S Dimensions

THIRD ANGLE PROJECTION

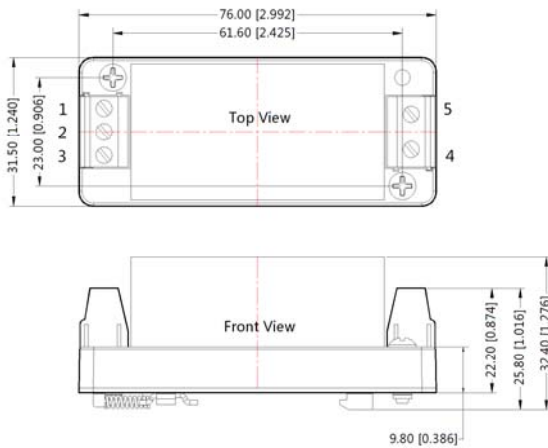


Pin-Out					
Pin	1	2	3	4	5
Connection		-Vin	+Vin	+Vo	-Vo

Note:  
Unit:mm[inch]  
Wire range : 24~12 AWG  
General tolerances:±0.50[±0.020]

FC-C01DA4S & FC-B02DA4S Dimensions

THIRD ANGLE PROJECTION



Pin-Out					
Pin	1	2	3	4	5
Connection		-Vin	+Vin	+Vo	-Vo

Note:  
Unit:mm[inch]  
Wire range : 24~12 AWG  
General tolerances:±0.50[±0.020]

- Note:
1. Packing Information please refer to 'Product Packing Information'. The Packing bag number of Horizontal package : 58220003 (FC-C01D),58220005( FC-CX1D&FC-C03D), the Packing bag number of A2S/ A4S package:58220022;
  2. Unless otherwise specified, data in this data sheet should be tested under the conditions of Ta=25°C, humidity<75% ;
  3. All index testing methods in this datasheet are based on our Company's corporate standards;
  4. The performance indexes of the product models listed in this manual are as above, but some indexes of non-standard model products will exceed the above-mentioned requirements, and please directly contact our technicians for specific information;
  5. We can provide product customization service;
  6. Specifications of this product are subject to changes without prior notice.

MORNSUN Guangzhou Science & Technology Co., Ltd.

Address: No. 5, Kehui St. 1, Kehui Development Center, Science Ave., Guangzhou Science City, Luogang District, Guangzhou, P. R. China  
Tel: 86-20-38601850-8801 Fax: 86-20-38601272 E-mail: [info@mornsun.cn](mailto:info@mornsun.cn)