



- Smallest DA module directly powered by 100VAC to 240VAC
- DA driving capability up to 25 DA members.
- Low power consumption 2 Watts max.
- Simply operates with Casambi.
- Additional inputs for 4 push buttons (dry contact)

The DA module LIGA.AIR.DA.1K.4.T is directly controlled by the Casambi app.

The module is directly connected to 100-240VAC line voltage.

The DA-BUS output has a driving capability up to 50mA or approximately 25 DA members.

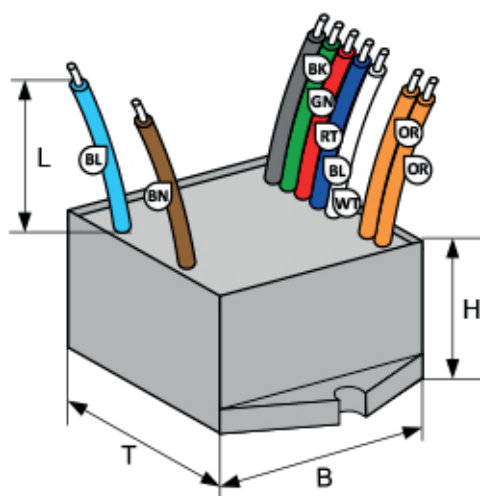
In addition, the module is able to sense 4 electrically isolated buttons for additional functionality of the Casambi application.

The module is capsuled in a black PC housing with the dimensions of 44 x 44 x 23mm.

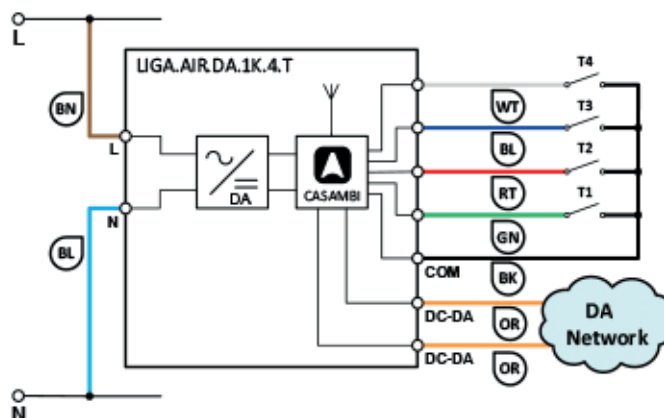
The attached mounting brackets for 3mm screws (or similar) can be easily removed if necessary.

The compact design of the housing allows an easy installation in flush-mounted boxes or in a cable duct.

Dimensional drawing:



Schematics:



Installation only by a professional electrician according to the local regulations!

Technical specifications:

Dimension (T x B x H)	44 x 44 x 23mm
Weight	75g
Color	Enclosure black
Mounting	In flush-mounted boxes or cable ducts etc.
Environmental conditions	Operation: Temperature -20 ... 50°C, humidity < 85%rH Stock: Temperature -25 ... 65°C, humidity < 95%rH
Protection type / Protection class	IP44, EN-60529 / Appliance Class II
Connections Power	Flexible 2x 1mm ² (AWG30), L = 150mm: Brown (BN): L, phase conductor Blue (BL): N, neutral conductor
Connections DA output	Flexible 2x 0.34mm ² (AWG24), L = 150mm: Orange (OR) 2x: DA 17V / 50mA max (for approx. 25 DA members)
Connections 4 buttons	Flexible flat ribbon cable 5 x 0.34mm ² (AWG22), L = 150mm: Green (GN): T1, red (RT): T2, blue (BL): T3, white (WT): T4 Black (BK): COM
Power supply ratings	100-240V~, 50-60Hz
Power consumption	2 Watts max
Standards	Low Voltage Directive (LVD) 2014/35/EU, EN 60669-2-1 Electromagnetic compatibility (EMC) 2014/30/EU
CASAMBI Modul Standards	Bluetooth 4.0 Wireless Control
Dimming and switching	Settable by the Casambi application (App Store, Google Play)
Applications	Dimming and switching of DA devices, 1 channel or broadcast
Scope of delivery	1 DA module

Compatible devices:**iPhone 4S** or later**iPad 3** or later**iPod Touch 5th gen** or later.**Android 4.4 KitKat** or later devices

produced after 2013 with full BT 4.0 support.

Range:

Casambi uses mesh network technology so each CBU-ASD acts also as a repeater.

Longer ranges can be achieved by using multiple Casambi units.

Range is highly dependent on the surrounding and obstacles, such as walls and building materials.

