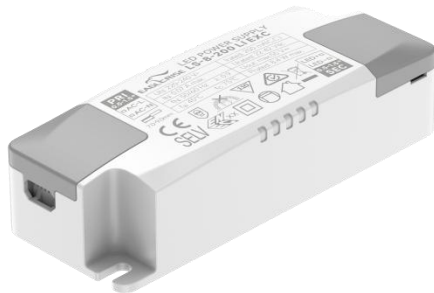


8W Constant Current power supply



■ Approve



Features

- Class II, SELV, independent
- Input Voltage 220-240VAC
- Protections: SCP/OLP/OVP
- Power Factor : 0.8C-0.95
- Efficiency: 78%
- 5 years warranty

Applications

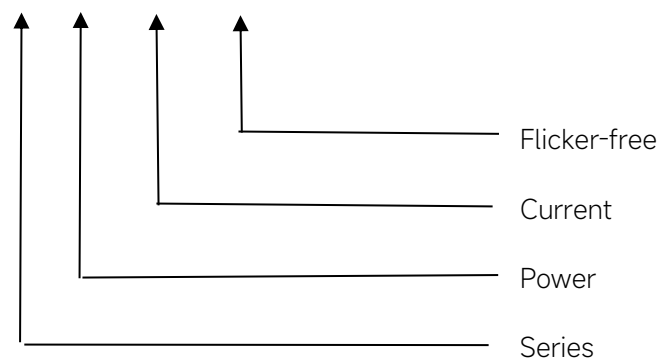
- LED panel, LED down light
- LED spot light

◆ Description

LS-8-XXX LI EXC is a 8W constant current LED driver that operates from 198-264Vac input with 120 to 350mA output current. With it's compact dimensions from 100 x 38.2 x 25mm it is easy to integrate in LED Panel, spot, down lights. To ensure trouble-free operation, protection is provided against output short circuit and over Load.

◆ Model code

LS-8-XXX LI EXC



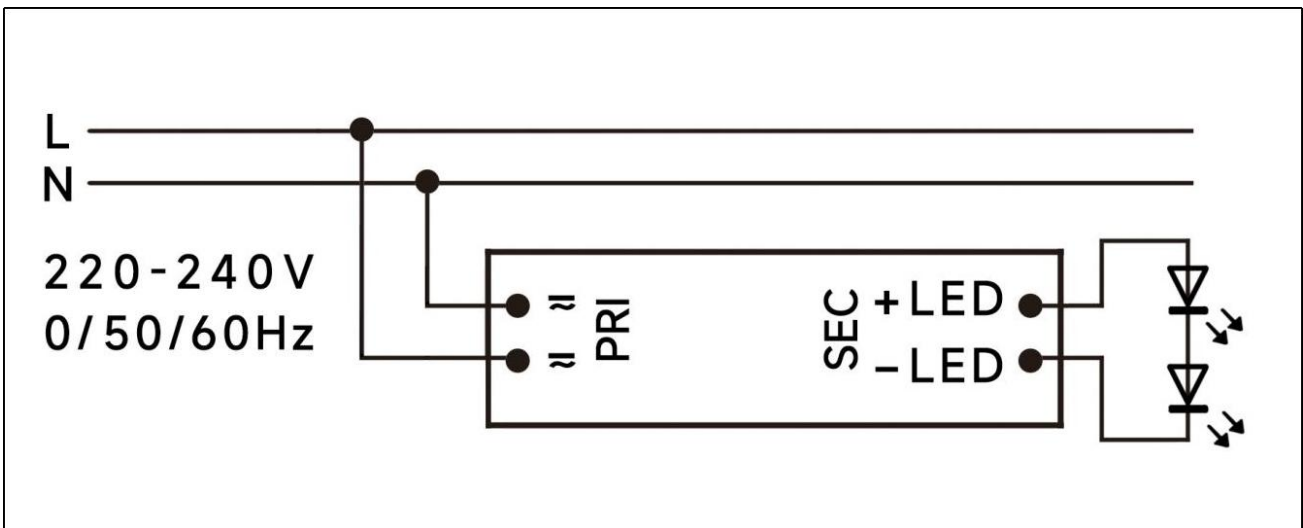
◆ Specification

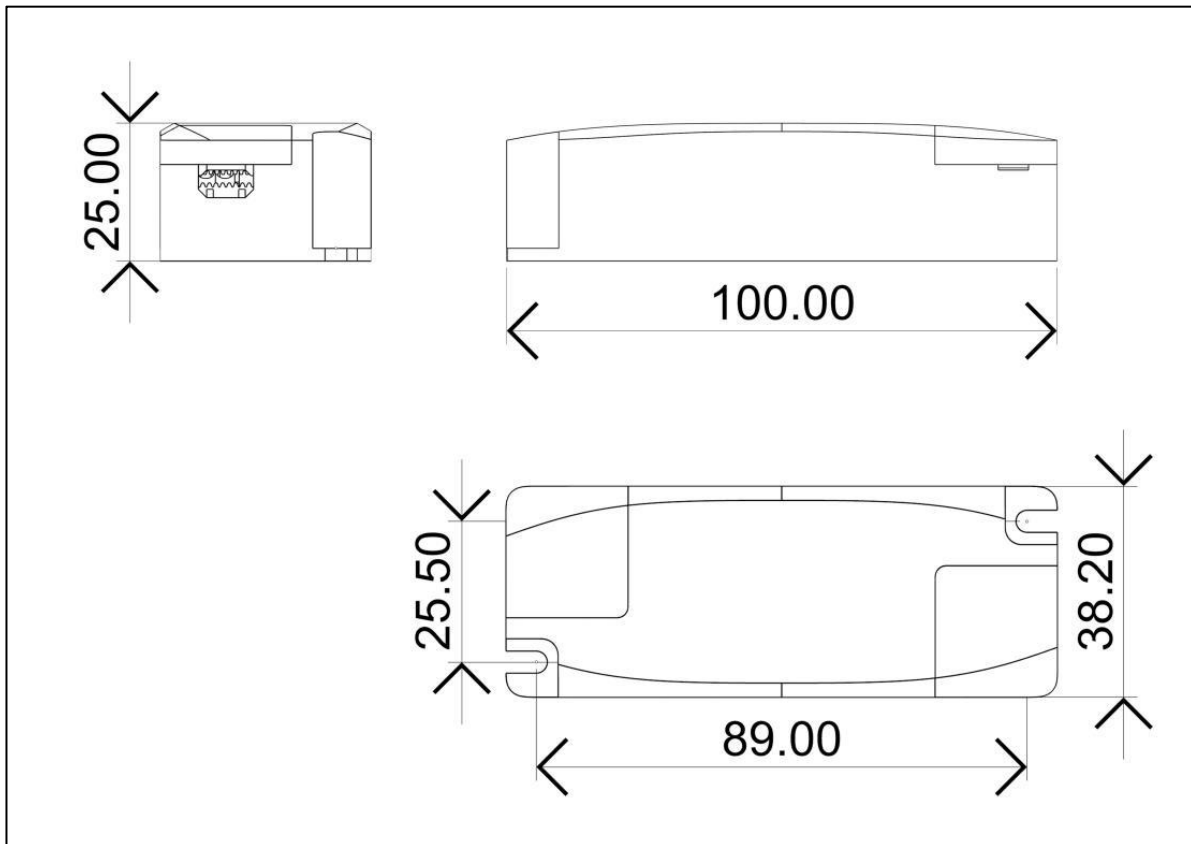
Output	Constant Current (mA)	120	150	180	200	220	250	300	350	
	Voltage Range(VDC)	27-50		22-42			14-27		12-24	
	Unload voltage Max.(VDC))	59		55			45		35	
	Current Accuracy	±7%					±5%			
	Output HF current ripple(≥1KHz)	±5%								
	Output LF current ripple(≤120Hz)	±3%								
	SVM	≤0.4								
	P _{st}	≤1								
	Efficiency(Typ.)	78%								
Input	Rated input voltage	220-240VAC								
	Range of input voltage	198-264VAC								
	Range input voltage(DC)	198-280VDC								
	Frequency(Hz)	0/50/60 Hz								
	Displacement factor(Typ.)	≥0.9								
	Power Factor	0.8C-0.95								
	Input Current max	0.07A								
	Start-up time	< 0.5S								
	No Load Power	≤0.5W								
	Inrush Current	30A Max@230V, Full Load								
	THD (Typ.)	< 20%								
Protection	Over Load Protection	103-130%								
		YES/Auto Resume								
	Over Voltage Protection	59VDC		55VDC			45VDC		35VDC	
	YES/Auto Resume									
	Short circuit Protection YES/Auto Resume									
Environment	Operating Temperature	-20°C~+55°C								
	Humidity	10%-90%RH								
	T _c	75°C								
	Storage Temperature	-25°C~+60°C								
	Life time	> 50000h@T _c =75°C								
Surface	Dimension	100x38.2x25mm								
Standards	EN 61347-1; EN61347-2-13; EN62384; EN55015; EN61000-3-2 ; EN61000-3-3; EN 61547									
Others	ErP	EU 2019/2020								
	RoHS	RoHS (2011/65/EU) (EU)2015/863								
Note	1.All parameters NOT specially mentioned are measured at 230VAC input , full load and 25°C of ambient temperature. 2.Ripple & Noise are measured at 20MHz of bandwidth by using a 300mm twisted pair-wire terminated with a 0.1uF & 47 uF parallel capacitor.									

◆ **Circuit Breaker**

I ^{peak}	T ^{width}	B10	B16	B20	C10	C16	C20
2.44A	38μs	114pcs	182pcs	228pcs	114pcs	182pcs	228pcs

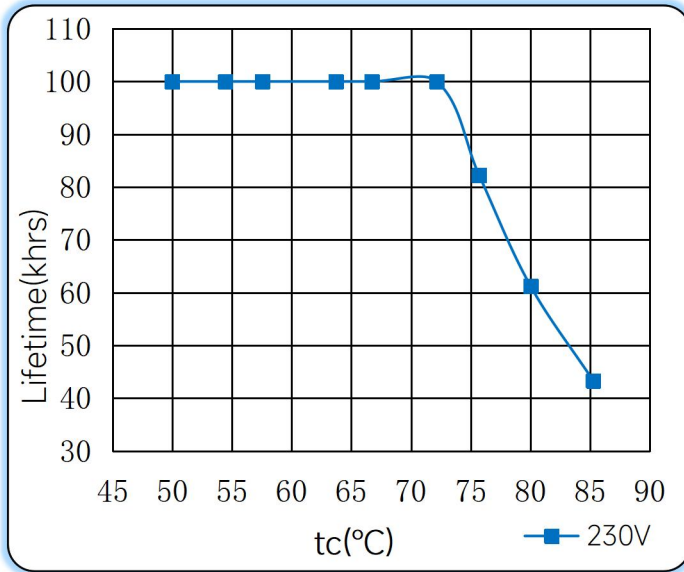
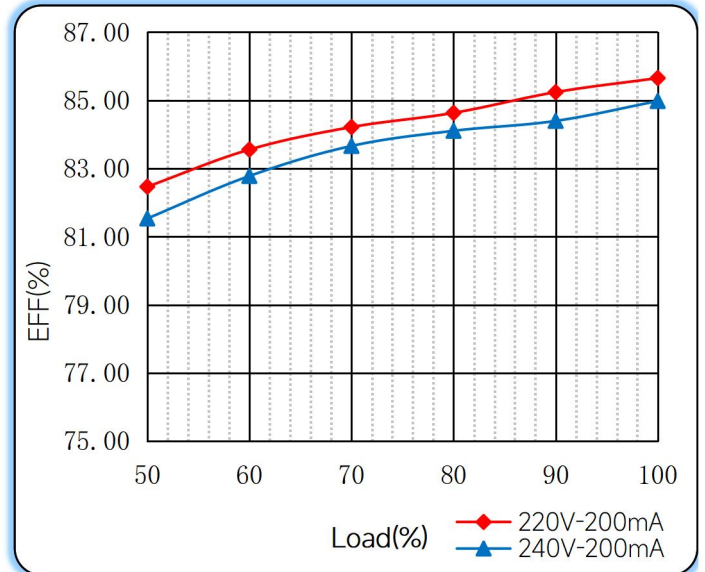
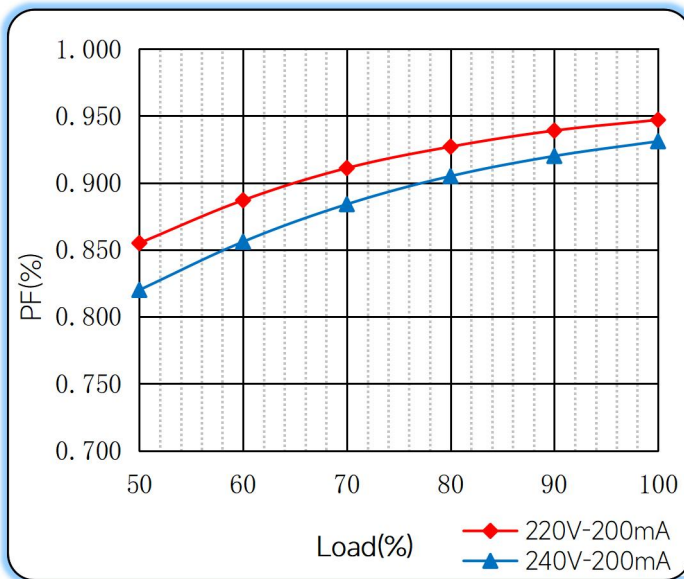
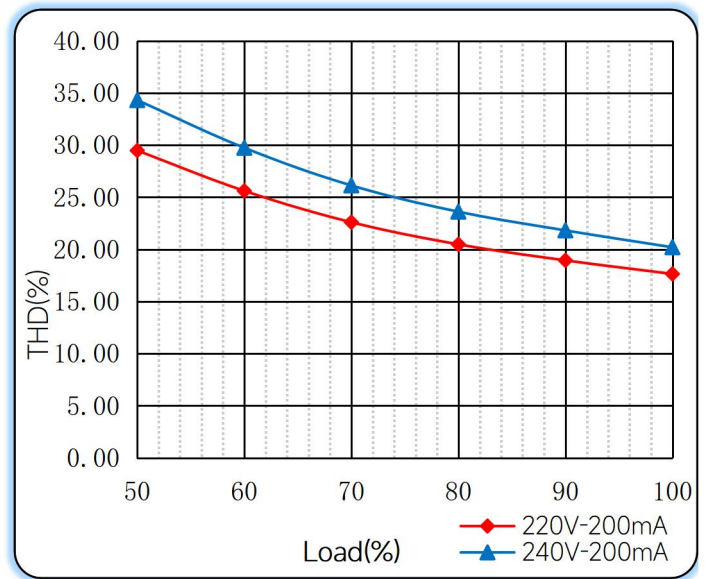
◆ **Wiring diagram**



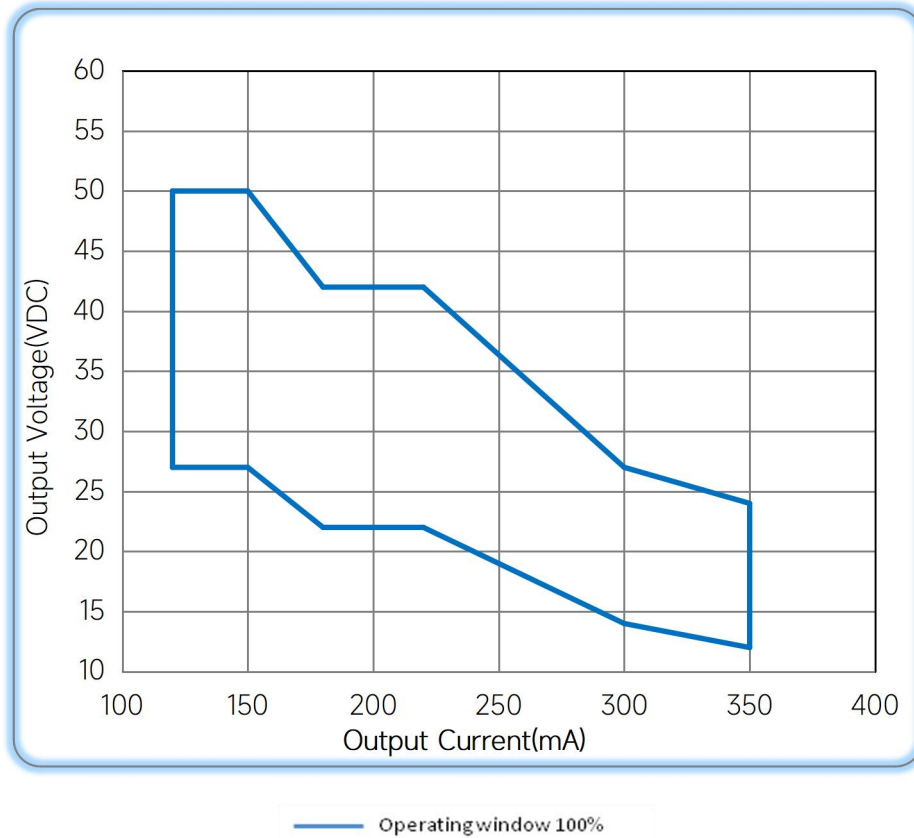
◆ 2D diagram

◆ Wiring & Connections

	Specification item	Value (Unit)
Input	Input wire cross-section	0.5...1.5 mm ²
	Input wire gauge.	16...20 AWG
	Input wire strip length	7...9mm
Output	Output wire cross-section	0.5...1.5 mm ²
	Output wire gauge.	16...20 AWG
	Output wire strip length	7...9mm

◆ Curve for LS-8-200 LI EXC, I_o=200mA

Lifetime vs. Temperature Curve

Efficiency vs. Load

Power Factor Characteristics

THD vs. Load


◆ Operating window



◆ Revision Updates

ITEM	BEFORE	AFTER	VERSION	DATE
Initial			A	2022/08/08
Specification		updated	B	2023/01/04
Power Factor	0.95	0.8C-0.95	C	2023/02/08

Tel: +86-0757-86256822, +86-0757-86256831

E-mail: sales@eaglerise.com

Website : <https://lighting.eaglerise.com>



EAGLERISE



Manual