

8W Constant Current power supply



■ Approve



Features

- Class II, SELV, independent
- Input Voltage: 220-240VAC
- Protections: SCP/OLP/OVP/OTP
- Power Factor: 0.6C
- Efficiency: 80%
- 5 years warranty
- IP20

Applications

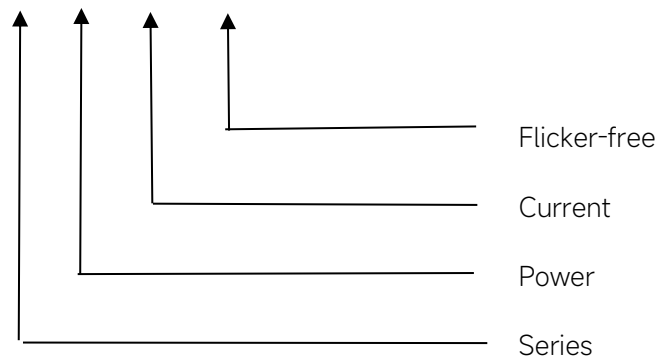
- LED panel, LED down light
LED spot light

◆ Description

LS-8-XXX SI ECO is a 8W constant current LED driver with 120~350mA output current. With it's compact dimensions from 92 x 36 x 25 mm it is easy to integrate in LED panel, LED down light, LED spot light products. To ensure trouble-free operation, protection is provided against output short circuit and over Load.

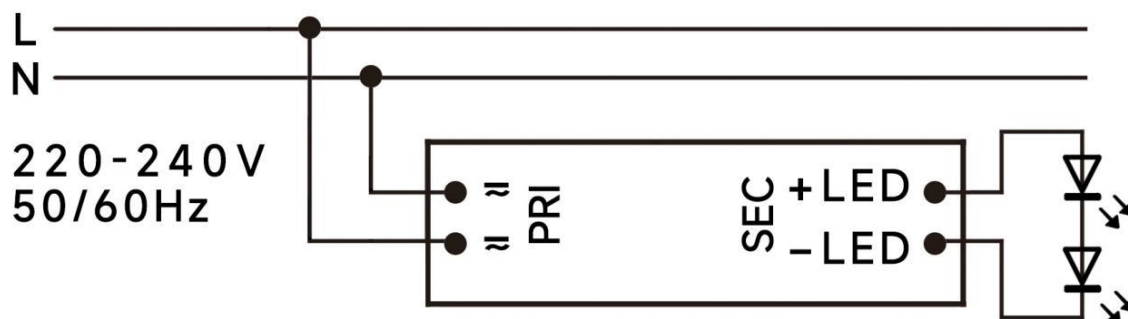
◆ Model code

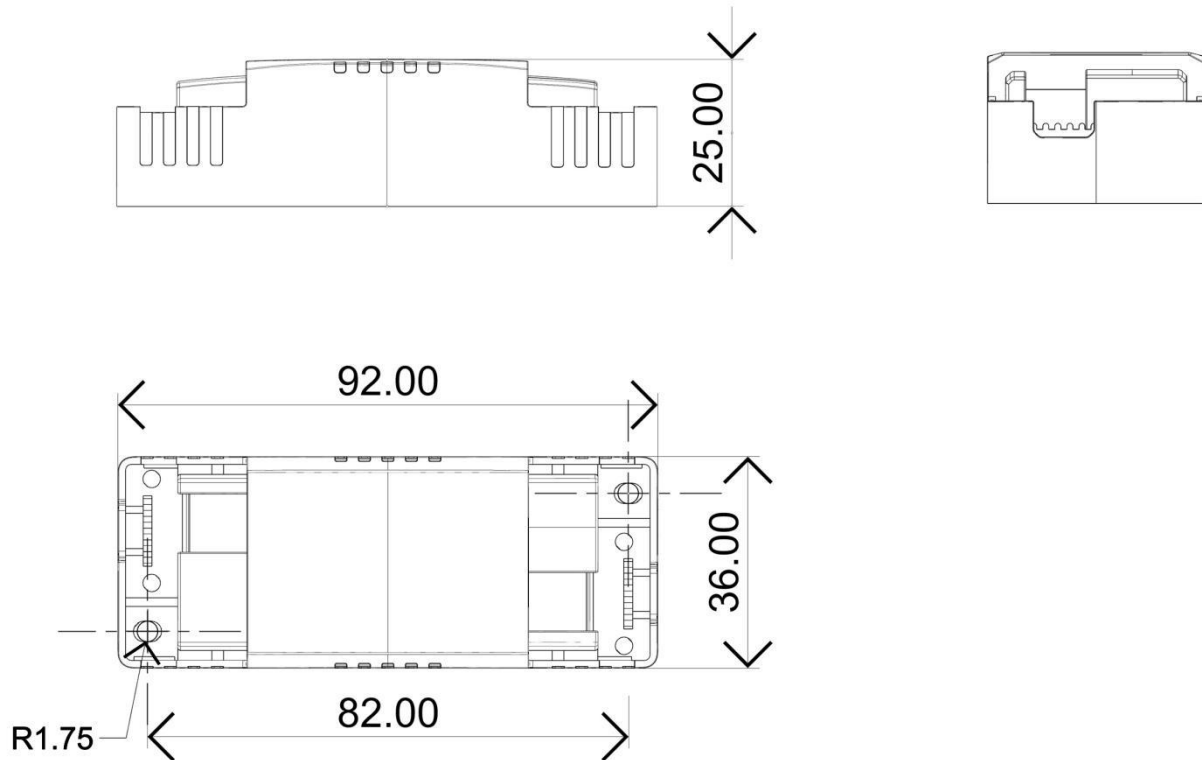
LS-8-XXX SI ECO



◆ Specification

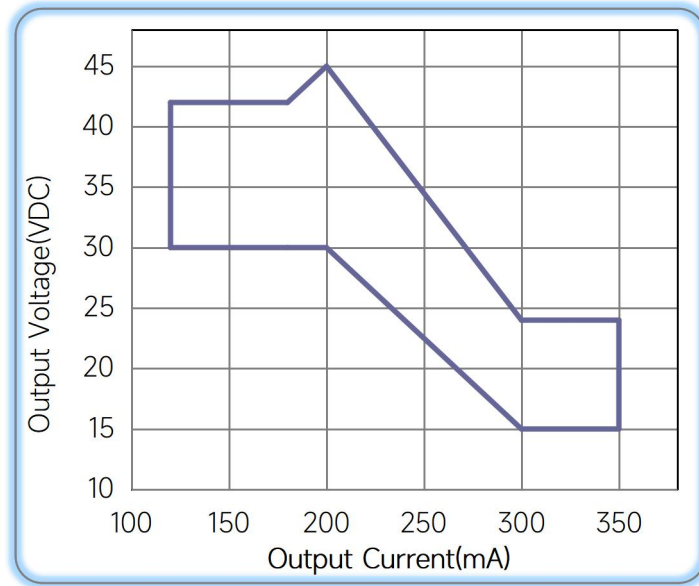
Output	Constant Current	120mA	150mA	180mA	200mA	300mA	350mA	
	Voltage Range	30-42VDC				15-24VDC		
	Unload voltage Max.	59VDC			40VDC		35VDC	
	Current Accuracy	±7%						
	Output HF current ripple(≥1KHz)	±5%						
	Output LF current ripple(≤120Hz)	±5%						
	SVM	≤0.4						
	P _{st}	≤1						
	Efficiency(Typ.)	≥80%						
Input	Rated input voltage	220-240VAC						
	Range of input voltage	198-264VAC						
	Frequency(Hz)	50/60 Hz						
	Displacement factor	≥0.5						
	Power Factor	0.6C						
	Input Current max	80mA	90mA	110mA	120mA	100mA	120mA	
	Start-up time	< 0.5S						
	No Load Power	≤0.5W						
	Standby Power	≤0.5W						
Protection	Over Load Protection	103-120% YES/Auto Resume						
	Over Voltage Protection	59VDC			40VDC		35VDC	
	Short circuit Protection	YES/Auto Resume						
	Over Temperature Protection	YES/Auto Resume						
Environment	Operating Temperature	-20°C~+45°C						
	Humidity	20%-90%RH						
	T _c	75°C						
	Storage Temperature	-20°C~+60°C						
	Life time	> 50,000h@tc=65°C						
Surface	Dimension	92X36X25 (LXWXH)mm						
standards	EN 61347-1; EN61347-2-13; EN62384; EN55015; EN61000-3-2 ; EN61000-3-3; EN 61547;							
Others	ErP	EU 2019/2020						
	RoHS	RoHS (2011/65/EU) (EU)2015/863						
Note	1. All parameters NOT specially mentioned are measured at 230VAC input , full load and 25°C of ambient temperature. 2. Ripple & Noise are measured at 20MHz of bandwidth by using a 300mm twisted pair-wire terminated with a 0.1uF & 47 uF parallel capacitor.							

◆ Wiring diagram

◆ 2D diagram

◆ Wiring & Connections

Specification item		Value (Unit)
Input	Input wire cross-section	0.5...1.5 mm ²
	Input wire gauge.	16...20 AWG
	Input wire strip length	8...9mm
Output	Output wire cross-section	0.5...1.5 mm ²
	Output wire gauge.	16...20 AWG
	Output wire strip length	8...9mm

◆ **Operating window**



— Operating window 100%

◆ **Revision Updates**

ITEM	BEFORE	AFTER	VERSION	DATE
Initial			A	2022/05/15

Tel: +86-0757-86256822, +86-0757-86256831

E-mail: sales@eaglerise.com

Website : <https://lighting.eaglerise.com>



EAGLERISE



Manual