

60W DALI + PUSH Dimming power supply



■ Approve



Features

- Class I, SELV, Independant
- Input Voltage 220-240VAC
- Protections: SCP/OLP/OVP/OTP
- Power Factor : 0.95(Typ.)
- Efficiency: 89%(Typ.)
- Support DALI-2,Push Dimming
- 5 years warranty
- IP20

Applications

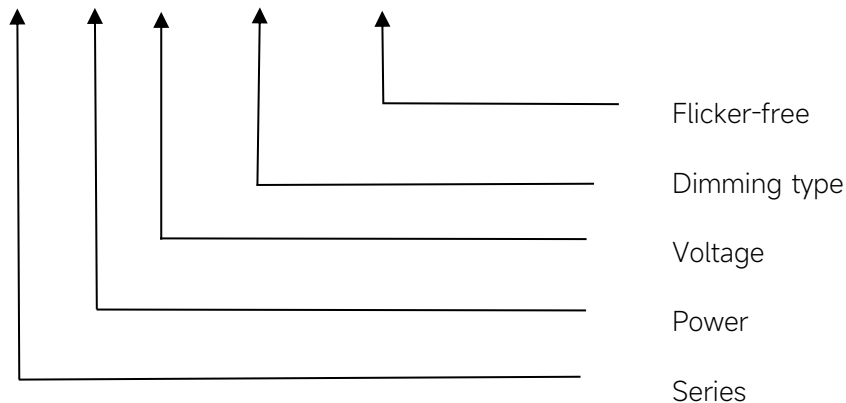
- Strips light

◆ Description

MS-60-24 DALI-2 LI is an 60W constant Voltage LED driver that operates from 198-264Vac input with 24V output voltage. With it's compact dimensions from 360x30x21 mm. It is easy to integrate in LED strips products. To ensure trouble-free operation, protection is provided against output short circuit and over Load.

◆ Model code

MS-60-24 DALI-2 LI



◆ Specification

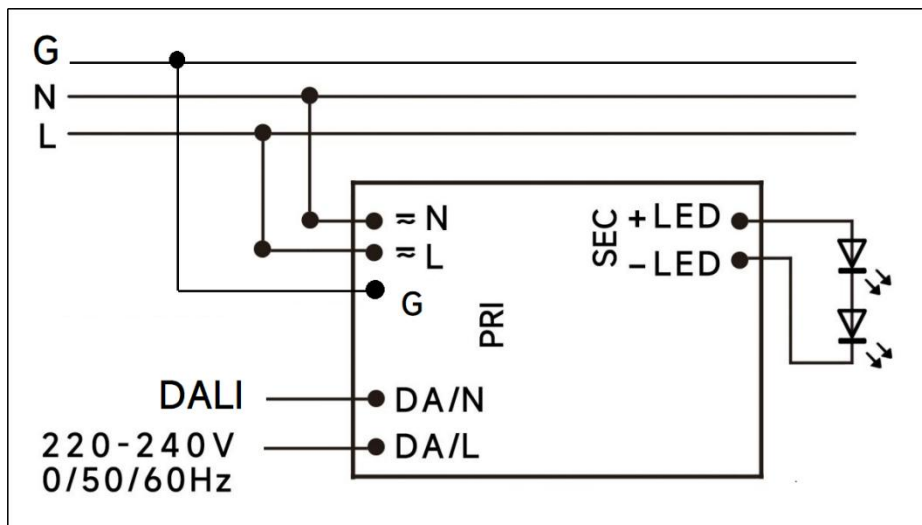
Output	Constant Voltage	24VDC
	Current Range	0-2.5A
	Voltage Accuracy	±5%
	Output HF current ripple(≥1KHz)	±1%
	Output LF current ripple(≤120Hz)	±1%
	SVM	≤0.4
	Pst	≤1
	Efficiency(Typ.)	≥89%@Full load,230V
Input	Rated input voltage	220-240V
	Range of input voltage	198-264VAC
	Range input voltage(DC)	176-280VDC
	Frequency(Hz)	0/50/60 Hz
	Displacement factor	≥0.95
	Power Factor	≥0.95@Full load,230V
	Input Current max	0.35A
	Start-up time	< 0.7S
	No Load Power	≤0.5W
	Standby Power	≤0.5W@DALI OFF signal is in effect
	Network standby power	≤0.5W
	THD (Typ.)	< 10% @Full load,230V
	Dimming	Dimming
Dimming mode		DALI-2 IEC 62386-101,102,207 & Push
Dimming depth		1%
Dimming current range		1-100%
Protection	Over Load Protection	105-150% YES/Auto Resume
	Over Voltage Protection	Protection type: Auto Resume
	Short circuit Protection	YES/Auto Resume
	Over Temperature Protection	YES/Auto Resume
Environment	Operating Temperature	-20°C...+60°C
	Humidity	20%-90%RH
	Tc	80°C
	Storage Temperature	-25°C...+60°C
	Life time	≥50,000h@Tc=80°C, full load
	Ripple&Noise	≤25dB(A)@30cm
Surface	Dimension	360*30*21mm
standards	EN 61347-1; EN61347-2-13; EN62384; EN55015; EN61000-3-2 ; EN61000-3-3; EN 61547	
Others	ErP	EU 2019/2020

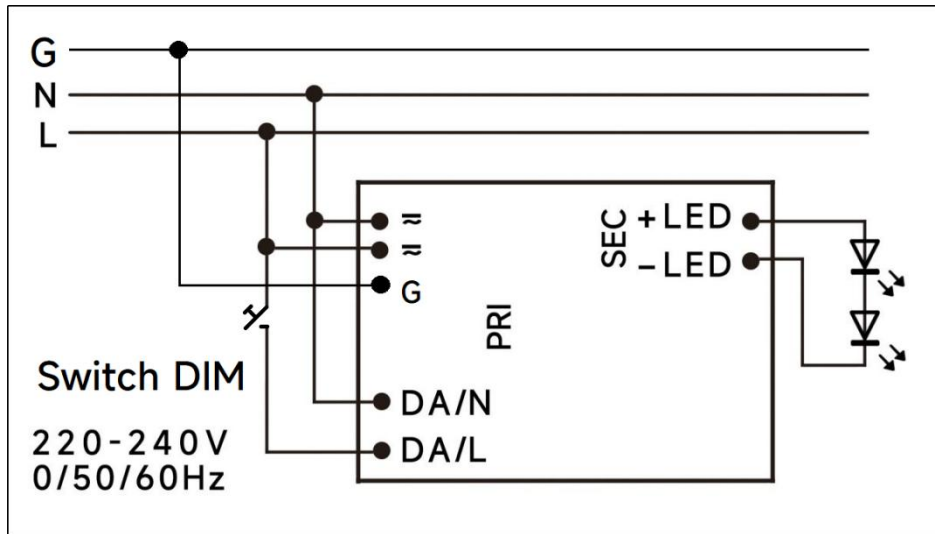
	RoHS	RoHS (2011/65/EU) (EU)2015/863
Note	<p>1..All parameters NOT specially mentioned are measured at 230VAC input , full load and 25°C of ambient temperature.</p> <p>2.Ripple & Noise are measured at 20MHz of bandwidth by using a 300mm twisted pair-wire terminated with a 0.1uF & 47 uF parallel capacitor.</p> <p>3.The DC input for this product is only used for emergency lighting and applies to functional and safety requirements, EMC is not considered.</p>	

◆ Circuit Breaker

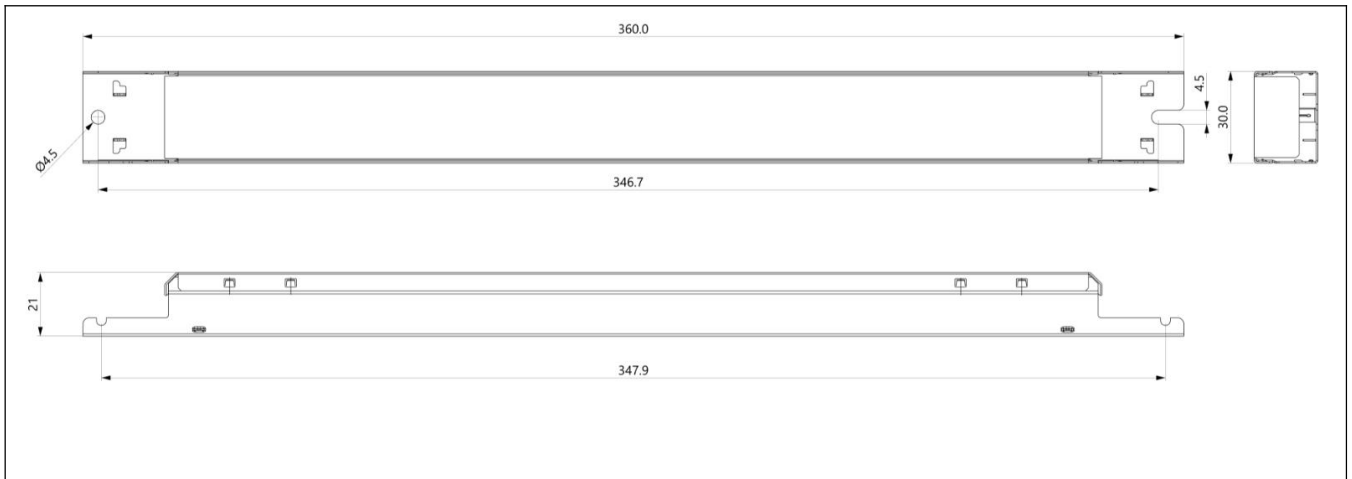
I _{peak}	T _{width}	B10	B16	B20	C10	C16	C20
26.7A	296μs	10pcs	16pcs	20pcs	16pcs	26pcs	33pcs

◆ Wiring diagram





◆ 2D diagram

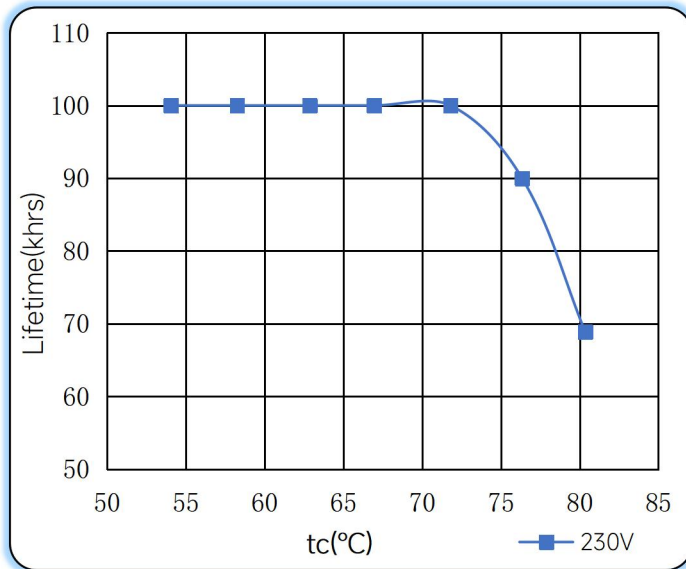
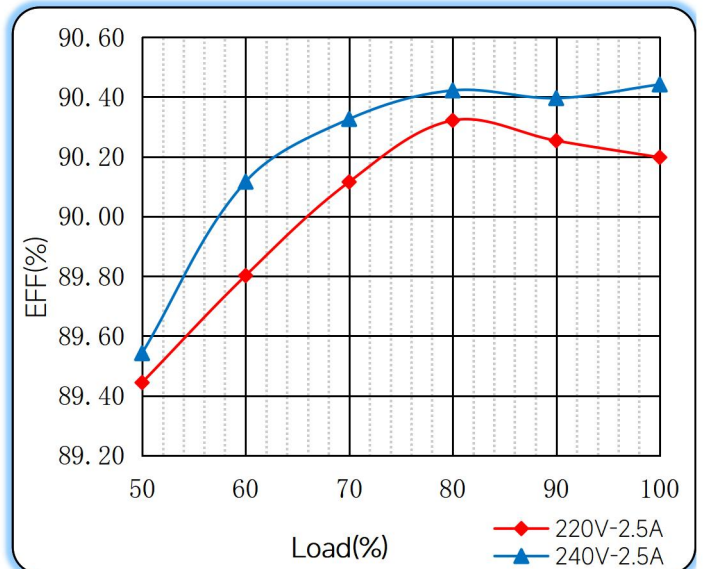
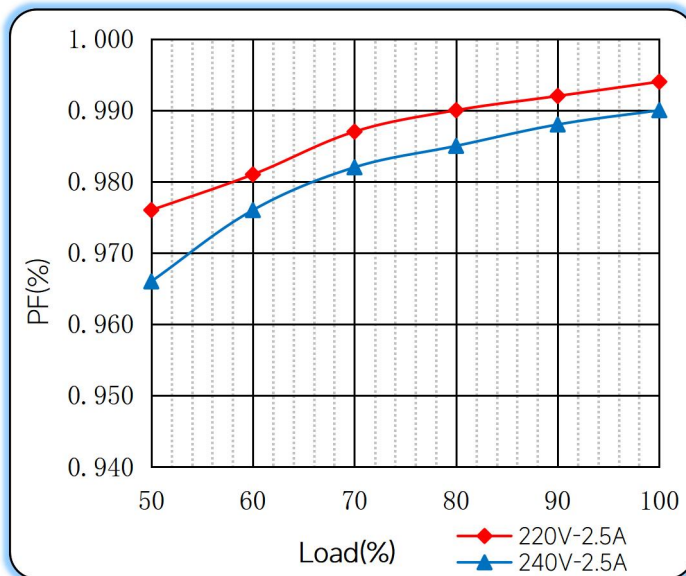
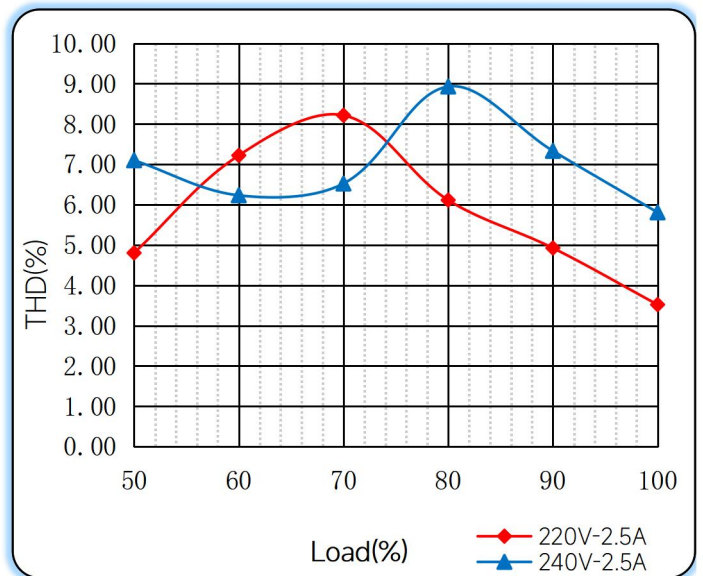


◆ Wiring & Connections

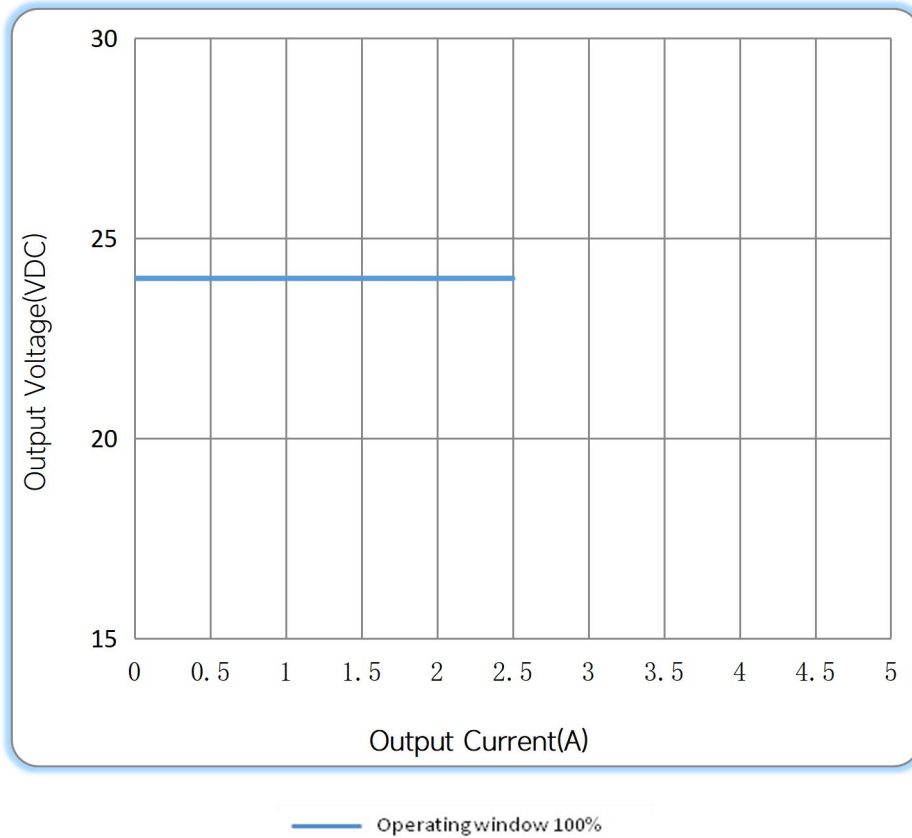
Specification item		Value (Unit)
Input	Input wire cross-section	0.5...1.5 mm ² (With A side caps: 0.75...1.5 mm ²)
	Input wire gauge.	16...20 AWG (With A side caps: 16...22 AWG)
	Input wire strip length	7...9mm
Output	Output wire cross-section	0.5...1.5 mm ² (With A side caps: 0.75...1.5 mm ²)
	Output wire gauge.	16...20 AWG (With A side caps: 16...22 AWG)
	Output wire strip length	7...9mm

Note: Solid wire is risky to use on an angled terminal. Stranded wire is recommended for this kind of use.

◆ Curve for MS-60-24 DALI-2 LI

Lifetime vs. Temperature Curve

Efficiency vs. Load

Power Factor Characteristics

THD vs. Load


◆ **Operating window**



◆ **Revision Updates**

ITEM	BEFORE	AFTER	VERSION	DATE
Initial			A	2023/05/12
Tc	75°C	80°C	B	2023/07/05

Remark: The final interpretation of the contents of the specification belongs to Eaglerise Electric & Electronic (China) Co., Ltd.

Tel: +86-0757-86256822, +86-0757-86256831

E-mail: sales@eaglerise.com

Website : <https://lighting.eaglerise.com>



EAGLERISE



Manual