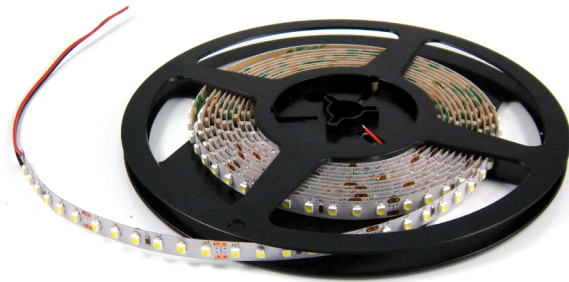


# PLCC Lightbar FPC 3528 Series Datasheet



## Features :

- High Brightness SMD LED
- Low Power Requirement & Energy Efficient
- Suitable for Restricted Space

## Typical Applications :

- Auditorium Walkway Lighting
- Stairway Accent Lighting
- Cabinet Lighting

## Specification :

- Color : 

## Table of Contents

---

General Information.....	3
Product Dimensions.....	4
Absolute Maximum Ratings .....	6
Electric-Optical Characteristics (T <sub>j</sub> =25°C).....	7
Product Packaging Information.....	9
Environmental Compliance.....	10
Application Notes.....	10
Revision History .....	11
About Edison Opto .....	11

## General Information

### Introduction

PLCC Lightbar FPC R is a strip of lighting module available in varying colors. Its flexible circuit board not only enables novel design thinking with bendable light source, but also offers a wide range of applications with dividable lighting segments.

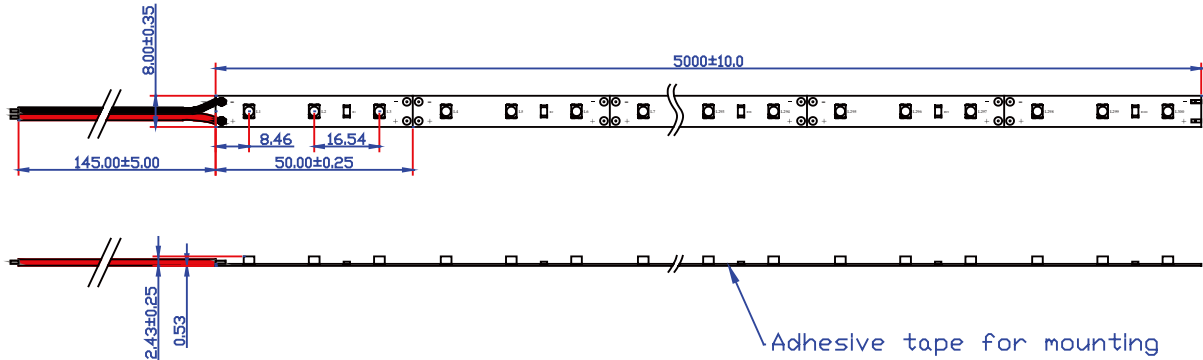
### Ordering Code Format

6  
X1
L B R 1  
X2
x x  
X3
N  
X4
x  
X5
0 0 0 0 0 0 x  
X6

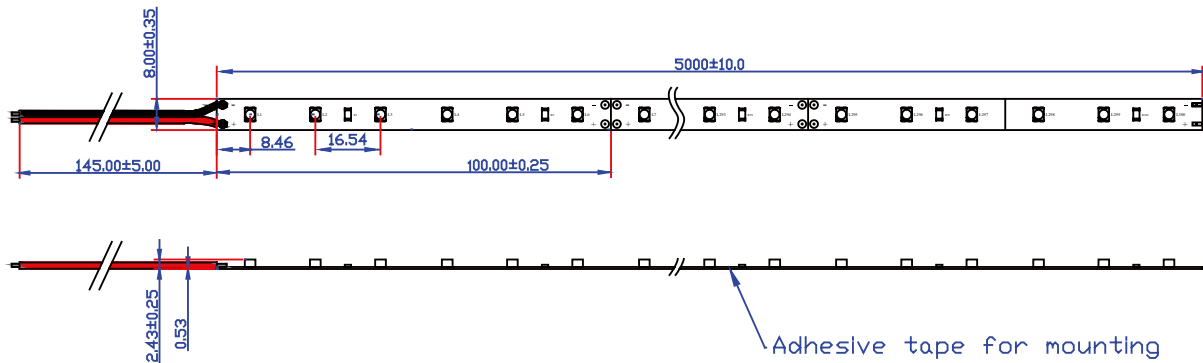
X1		X2		X3		X4		X5		X6	
Item	Module	Series	FPC	Emitting Color	Color	Angle	Value	Driver	Value	Serial No.	Value
6	Module	LBR1	FPC	CW	Cool White	N	120	I	CV 12V	xxxxxxx	--
				NW	Neutral White			J	CV 24V		
				WW	Warm White						
				M1	RTB						
				M2	RTBW						
				PX	Pink						

## Product Dimensions

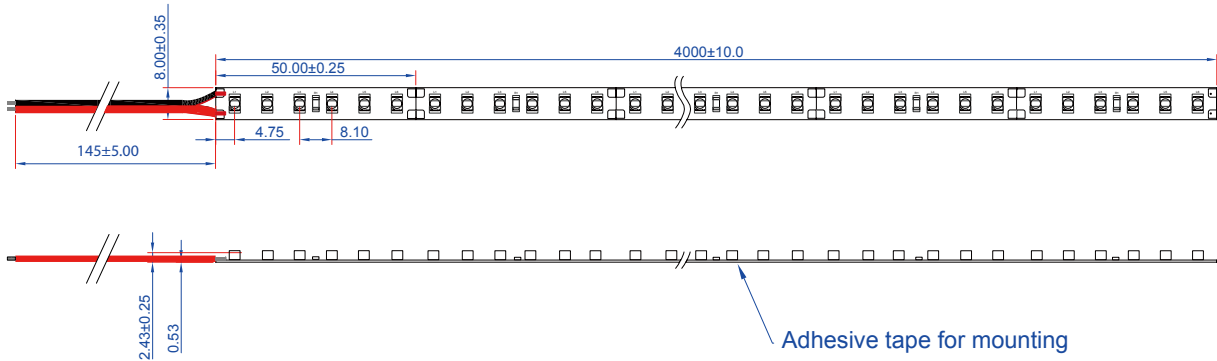
### 6LBR1xxNI000001 Series Dimensions (CV 12V)



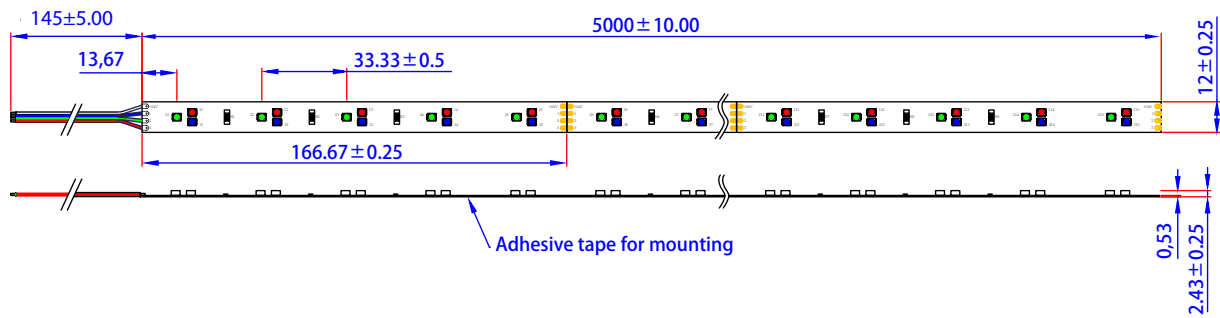
### 6LBR1xxNJ000000x Series Dimensions (CV 24V)



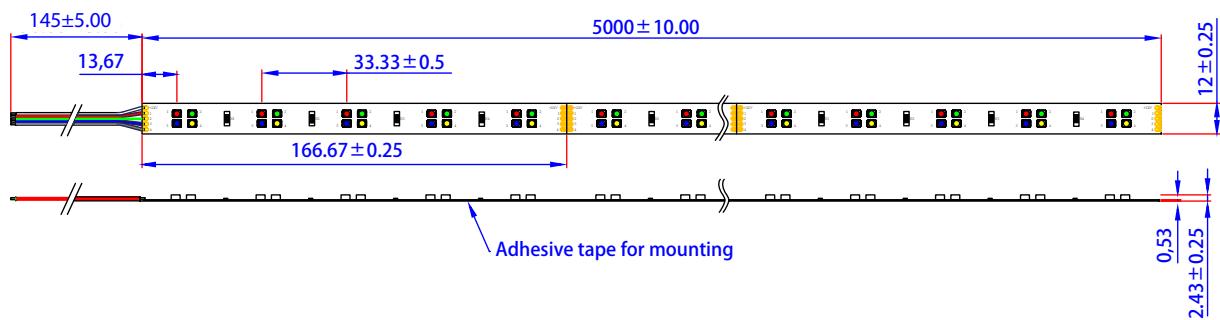
### 6LBR1xxNJ0000001 Series Dimensions (CV 24V)



### 6LBR1M1NJ0000002 Series Dimensions (RTB/ CV 24V)



### 6LBR1M2NJ0000002 Series Dimensions (RTBW/ CV 24V)



Notes:

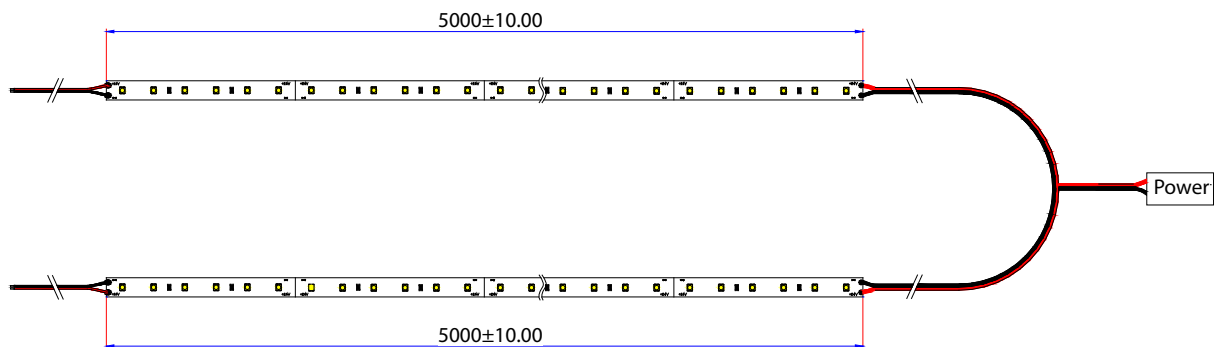
1. All dimensions are in millimeters.
2. Tolerance is  $\pm 0.20$  mm

## Absolute Maximum Ratings

Parameter	Symbol	Value	Units
LED junction Temperature	$T_j$	125	°C
Operating Temperature	$T_{opr}$	-20 ~ +40	°C
Storage Temperature	$T_s$	-20 ~ +85	°C
Number of FPC Connection	-	15	M

Notes:

1. Proper current derating must be observed to maintain junction temperature below the maximum at all time.
2. LEDs are not designed to be driven in reverse bias.
3. Strongly recommended one power connection one set FPC, If over two set FPC recommended connection power between two FPC (Drawing).



## Electric-Optical Characteristics (T<sub>j</sub>=25°C)

### 6LBR1xxNI0000001 Series (CV 12V)

Order Code	Color	CCT(K/nm)	Input Voltage (CV)	Im (M)	Number of LEDs (M)	Power (W/M)	Forward Current (mA/M)	CRI
6LBR1CWNII0000001	Cool White	6,000K	12	420	60	4.8	400	70
6LBR1NWNII0000001	Neutral White	4,000K	12	390	60	4.8	400	75
6LBR1WWNI0000001	Warm White	3,000K	12	360	60	4.8	400	80
6LBR1WWNI0000007	Warm White	3,000K	12	260	60	4.8	400	90
6LBR1RXNI0000001	Red	620~630nm	12	96	60	4.8	400	-
6LBR1TXNI0000001	Green	520~535nm	12	216	60	4.8	400	-
6LBR1BXNI0000001	Blue	465~475nm	12	48	60	4.8	400	-
6LBR1PXNI0000001	Deep Pink	2,000K	12	260	60	4.8	400	80
6LBR1PXNI0000002	Pink	3,300K	12	260	60	4.8	400	80

### 6LBR1xxNJ000000x Series (CV 24V)

Order Code	Color	CCT(K/nm)	Input Voltage (CV)	Im (M)	Number of LEDs (M)	Power (W/M)	Forward Current (mA/M)	CRI
6LBR1CWNJ0000004	Cool White	6,000K	24	420	60	4.8	200	70
6LBR1NWNJ0000005	Neutral White	4,000K	24	390	60	4.8	200	75
6LBR1WWNJ0000006	Warm White	3,000K	24	360	60	4.8	200	80
6LBR1WWNJ0000011	Warm White	3,000K	24	260	60	4.8	200	90
6LBR1RXNJ0000002	Red	620~630nm	24	96	60	4.8	200	-
6LBR1TXNJ0000002	Green	520~535nm	24	216	60	4.8	200	-
6LBR1BXNJ0000002	Blue	465~475nm	24	48	60	4.8	200	-
6LBR1PXNJ0000003	Deep Pink	2,000K	24	260	60	4.8	200	80
6LBR1PXNJ0000005	Pink	3,300K	24	260	60	4.8	200	80
6LBR1CWNJ0000001	Cool White	6,000K	24	840	120	9.6	400	70
6LBR1NWNJ0000001	Neutral White	4,000K	24	780	120	9.6	400	75
6LBR1WWNJ0000001	Warm White	3,000K	24	720	120	9.6	400	80
6LBR1WWNJ0000012	Warm White	3,000K	24	530	120	9.6	400	90
6LBR1RXNJ0000001	Red	620~630nm	24	192	120	9.6	400	-
6LBR1TXNJ0000001	Green	520~535nm	24	432	120	9.6	400	-
6LBR1BXNJ0000001	Blue	465~475nm	24	96	120	9.6	400	-
6LBR1PXNJ0000002	Deep Pink	2,000K	24	530	120	9.6	400	80
6LBR1PXNJ0000004	Pink	3,300K	24	530	120	9.6	400	80

### 6LBR1MxNJ0000002 Series (CV 24V)

Order Code	Color	CCT(K/nm)	Input Voltage (CV)	Im (M)	Number of LEDs (M)	Power (W/M)	Forward Current (mA/M)	CRI
6LBR1M1NJ0000002	Red	620~630nm	24	48	30	2.88	120	-
	Green	520~535nm	24	108	30	2.88	120	-
	Blue	465~475nm	24	24	30	2.88	120	-
6LBR1M2NJ0000002	Cool White	6,000K	24	210	30	2.88	120	70
	Red	620~630nm	24	48	30	2.88	120	-
	Green	520~535nm	24	108	30	2.88	120	-
	Blue	465~475nm	24	24	30	2.88	120	-

Notes:

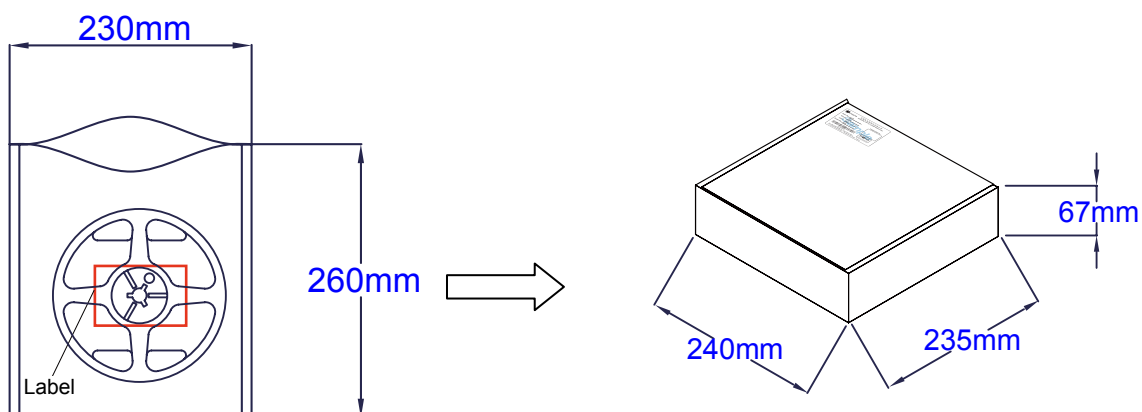
1. CCT/Wavelength is measured with an accuracy of  $\pm 10\%$
2. Forward Current is measured with an accuracy of  $\pm 10\%$



## Product Packaging Information

PLCC Lightbar FPC Material Description

Package Type	Part NO.	6LBR1xxNx000000x	6LBR1MxNJ000000x	Dimension
Antistatic bag		1 Reel	1 Reel	260mm x 230mm
Inside box		5 Antistatic bags	4 Antistatic bags	240mm x 235mm x 67mm
Outside box		10 Inside boxes	10 Inside boxes	488mm x 364mm x 261mm

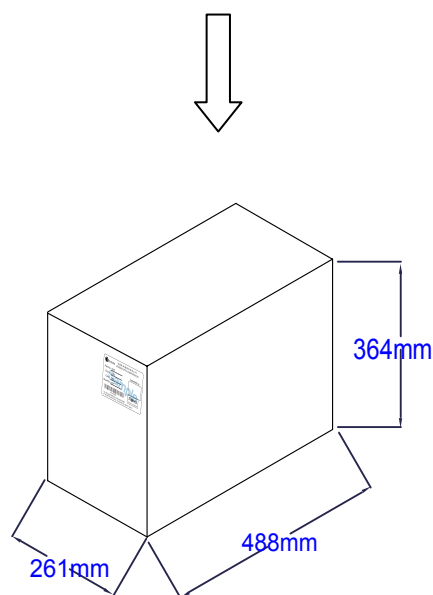


EX:

 艾笛森光電股份有限公司 EDISON OPTO CORPORATION	
Part No. : <u>6LBR1CWNJ0000005</u>	Inspected by:
Color : <u>Cool White(34W3FVB2)</u>	<input type="text"/>
Quantity : <u>1 Reel(5M)</u>	
Lot No. : <u>D1201-12110022</u>	
 A410000005 Tel +86-2-82276996 Fax +86-2-8227-6997 4F No.800 Chung-Cheng ., Chung-Ho City Taipei. Taiwan	 ROHS Directive Compliance

**Label information**

Part NO. : Order code  
Color : Color(Emitter BIN color)  
Quantity : The number of packing  
Lot NO. : Date code



## Environmental Compliance

---

PLCC lightbar FPC series are compliant to the Restriction of Hazardous Substances Directive or RoHS. The restricted materials including lead, mercury cadmium hexavalent chromium, polybrominated biphenyls (PBB) and polybrominated diphenyl ether (PBDE) are not used in PLCC lightbar FPC series to provide an environmentally friendly product to the customers.

## Application Notes

---

PLCC Lightbar series are available in red, yellow, green, blue, white, neutral white and warm white for application such as under-cabinet lighting, cove lighting and wall washing. Moreover, additional fine-tuned high color rendering index (CRI) version of white, neutral white and warm white all make PLCC Lightbar the ideal lighting choice for vividly building or decoration products, presenting the products outline.

## Revision History

Versions	Description	Release Date
1	Establish order code information	2013/06/20
2	1. Update the Emitting Color of order code format and CRI 2. Add the label information	2013/07/23
3	Add Pink order code (12V, 24V)	2013/11/29

## About Edison Opto

Edison Opto is a leading manufacturer of high power LED and a solution provider experienced in LDMS. LDMS is an integrated program derived from the four essential technologies in LED lighting applications- Thermal Management, Electrical Scheme, Mechanical Refinement, Optical Optimization, to provide customer with various LED components and modules. More Information about the company and our products can be found at [www.edison-opto.com](http://www.edison-opto.com)

Copyright©2013 Edison Opto. All rights reserved. No part of publication may be reproduced or transmitted in any form or by any means, electronic or mechanical, including photo copy, recording or any other information storage and retrieval system, without prior permission in writing from the publisher. The information in this publication are subject to change without notice.

[www.edison-opto.com](http://www.edison-opto.com)

For general assistance please contact:  
[service@edison-opto.com.tw](mailto:service@edison-opto.com.tw)

For technical assistance please contact:  
[LED.Detective@edison-opto.com.tw](mailto:LED.Detective@edison-opto.com.tw)