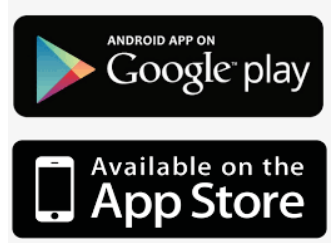
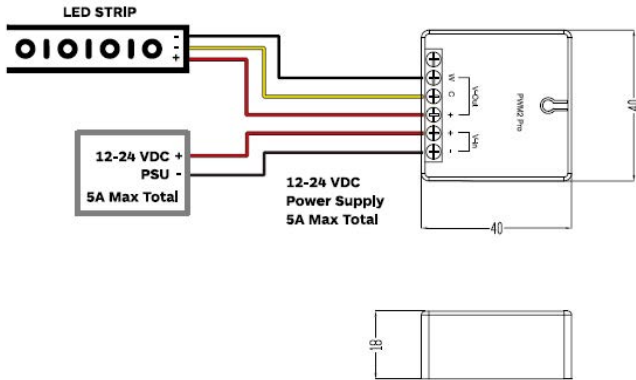


Item name	PWM2-Pro
Ordering code	LBD-PWM2PRO-CAS
Item code	LBD-PWM2PRO-CAS
Date	07-02-2023

## PWM2 Pro - Constant Voltage LED Driver



### Description

PWM2 Pro is a Bluetooth controllable, Casambi enabled 2 channel PWM dimmer for constant voltage LED loads, such as LED strips and constant voltage LED modules. It is connected between a 12-24 VDC power supply and the constant voltage LED load. The maximum combined output current is 5A which can be freely divided between 1 or 2 channels. PWM2 Pro is protected against overload. Flicker Free.

### Control

Dimmable by Casambi app which can be downloaded free of charge from Apple App Store and Google Play Store.

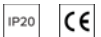
### Properties

Input Voltage:	12-24V DC
Max. input current:	5A
Max. output current:	5A
Output Voltage	Same as input
Max Output Power	120w @24VDC / 60w @12VDC
Wire type	14-22AWG
Device Control	PWM by Casambi App

Case size:	40 x 40 x h 18 mm
Weight:	19g
Protection:	IP20
Operating temp:	-20 to 50°C
Installation:	Remote
Control options:	Available profiles
1 channel	Dim
2 channels	Dim, Dim
2 channels	Dim, CCT (Tunable White)



Certificates:  
CE, FCC, LVD(2014/35/EU)\*\*



NOTES: \*\*Low Voltage Directive (2014/35/EU): The products applicative voltage is under 75VDC of LVD minimum adopted voltage. For more information and user manual please contact: sales@ledbydesign.asia

We reserve the right to change specifications without prior notification.