

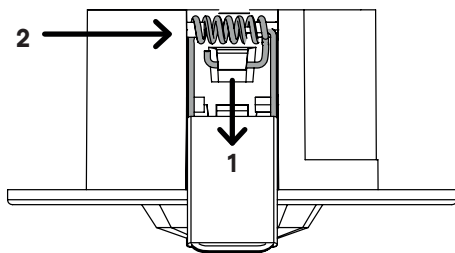
EN Installation Manual S20BOX

The S20BOX enables surface-mounted installation of the V-sense SRD2PB and V-sense SR2PB sensors.

Installation procedure

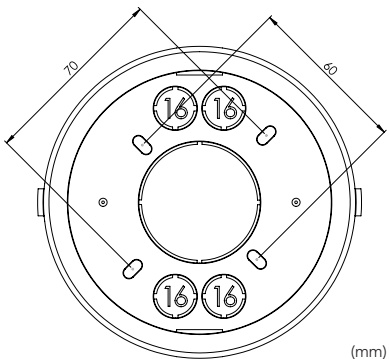
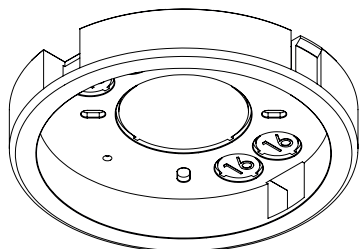
Disassembling the Spring

1. Remove the spring bend from the plastic hook by pressing it downward.
2. Compress the spring from the right side and detach it from the left plastic pin.



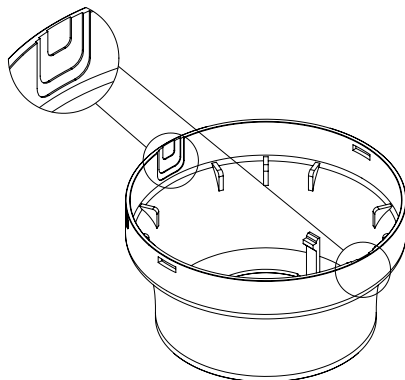
Mount the Mounting Plate in the Ceiling

Tip! The holes are compatible with ceiling and wall mount junction boxes.

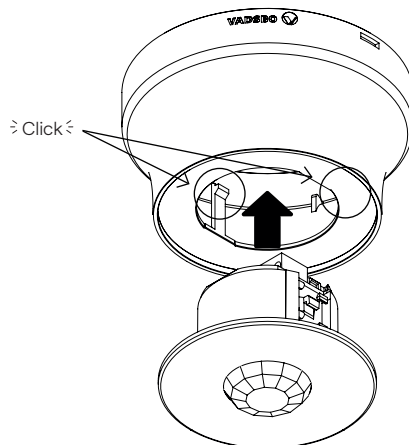


(mm)

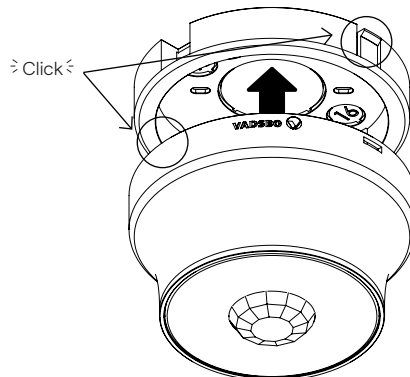
Cut out opening for cable



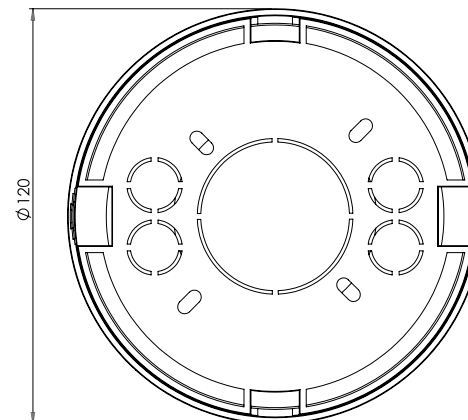
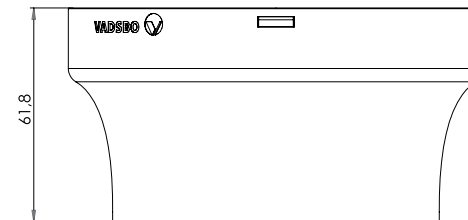
Press the sensor into the box



Press the box against the base plate



Dimensions (mm)



Technical Data

Designation	S20BOX
Model series	V-sense
Article number	V-65F1202-001N
E-number	14 387 01
Mounting	Surface-mounted
Material	PC
Insulation class	IP20
Color	RAL9003
Dimensions (W x H)	120 x 61.8 mm
Cable entry	Cut-outs for 7mm, 13mm, and 16mm 16mm knock-outs for flexible conduit 45mm knock-out for junction box
Ambient temperature	-20 to +35°C
Weight	102g
Flame retardancy	V-0
Approvals	CE