

## 35W Constant Voltage-SH Series



■ Approve

CE SELV

### Features

- Class II, SELV, built-in
- IP44 Ingress protection
- Input Voltage 100-240VAC
- Protections: SCP/OLP/OTP
- Power Factor  $\geq 0.9$
- Efficiency  $\geq 82\%$ @ 24VDC/ $\geq 80\%$ @12VDC
- 5 years warranty

### Applications

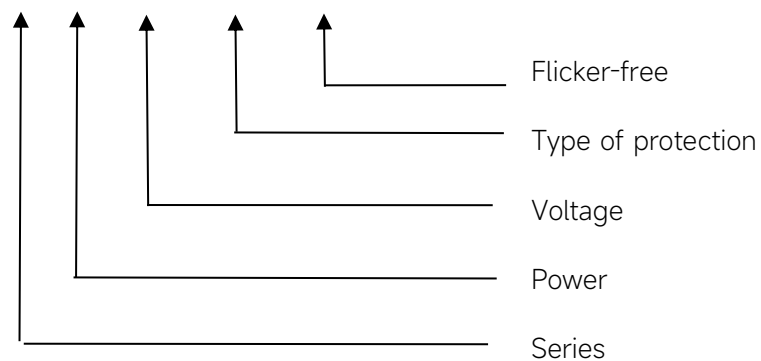
- LED strips

### ◆ Description

SH-35-xx IP44 LB is a 35W constant voltage LED driver that operates from 90-264Vac input with 12V or 24V output voltage. With it's slim dimensions from 98.5 x 57 x 29.5mm it is easy to integrate in LED strips products. To ensure trouble-free operation, protection is provided against output short circuit, over Load and over temperature.

### ◆ Model code

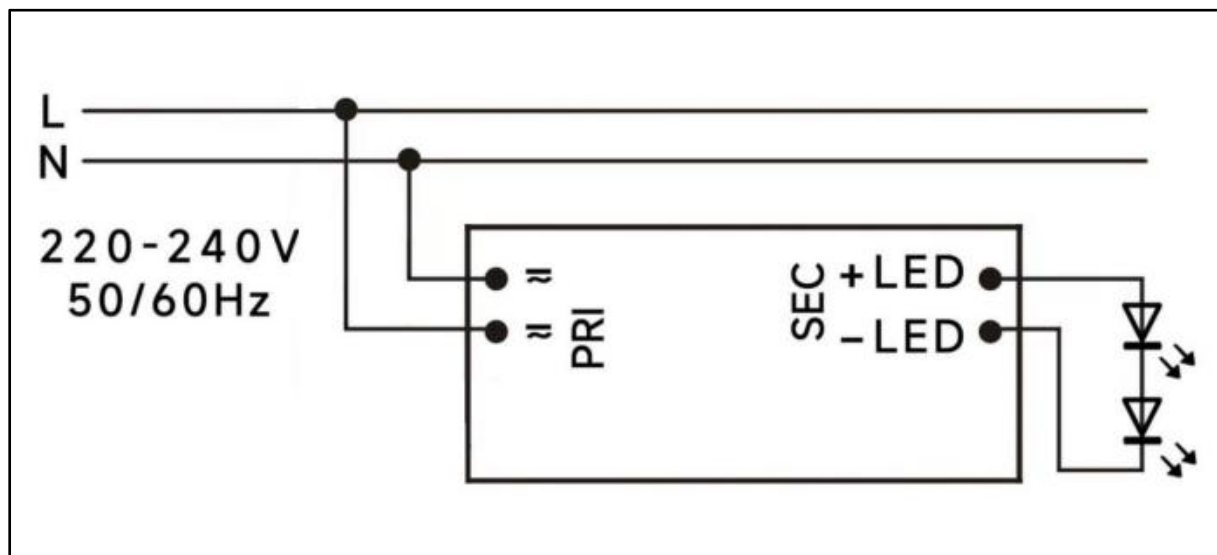
SH-35-XX IP44 LB



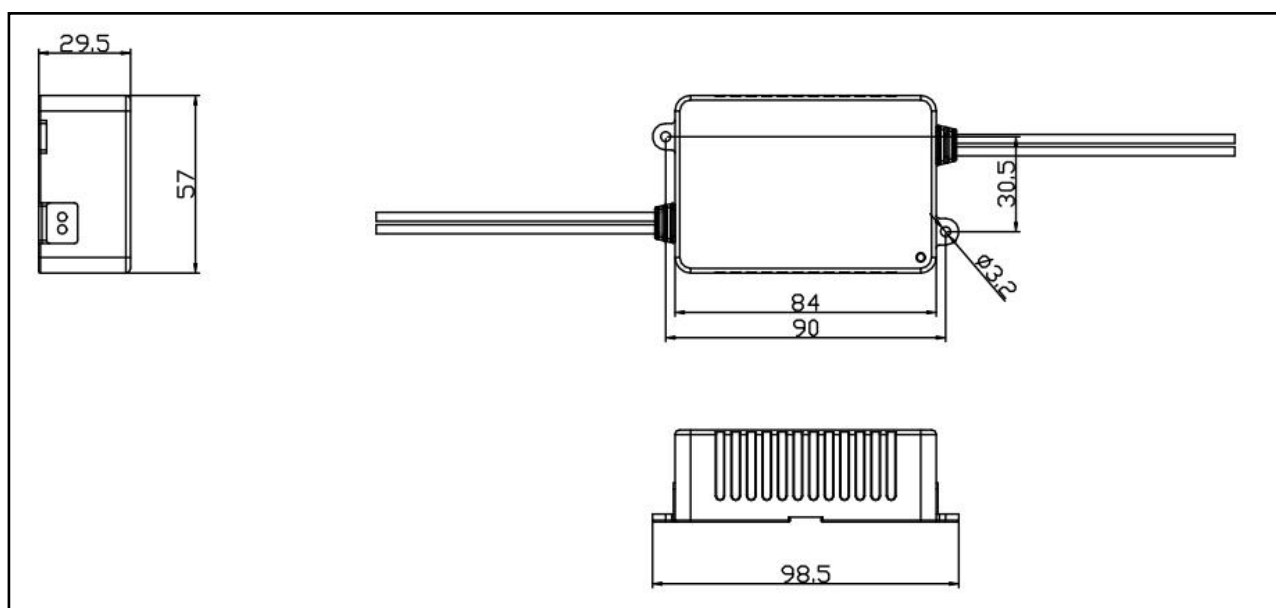
## ◆ Specification

|             |  |                                |                 |
|-------------|--|--------------------------------|-----------------|
| Output      | Constant Voltage   | 12VDC                          | 24VDC           |
|             | Current Range  | 0-2.91A                        | 0-1.46A         |
|             | Voltage Accuracy   | ±5%                            |                 |
|             | Output HF current ripple(≥1KHz)  | ≤±3%                           |                 |
|             | Output LF current ripple(≤120Hz)   | ≤±3%                           |                 |
|             | SVM  | ≤0.4                           |                 |
|             | Pst  | ≤1                             |                 |
|             | Efficiency(Typ.)   | ≥80%                           | ≥82%            |
| Input       | Rated input voltage  | 100-240VAC                     |                 |
|             | Range of input voltage   | 90-264VAC                      |                 |
|             | Frequency(Hz)  | 50/60 Hz                       |                 |
|             | Displacement factor  | ≥0.9                           |                 |
|             | Power Factor   | 0.9C                           |                 |
|             | Input Current max  | 0.52A MAX.                     |                 |
|             | Start-up time  | < 0.5S                         |                 |
|             | No Load Power  | ≤0.5W                          |                 |
|             | THD (Typ.)   | <15%                           |                 |
| Protection  | Over Load Protection   | 130-150%                       | YES/Auto Resume |
|             | Short circuit Protection   | YES/Auto Resume                |                 |
|             | Over Temperature Protection  | YES/Auto Resume                |                 |
| Environment | Operating Temperature  | -20°C~+45°C                    |                 |
|             | Humidity   | 20%-90%RH                      |                 |
|             | Tc   | 90°C                           |                 |
|             | Storage Temperature  | -20°C~+80°C                    |                 |
|             | Life time  | > 50000h@Tc=80°C               |                 |
| Surface     | Dimension  | 98.5x57x29.5 (LXWXH)mm         |                 |
| standards   | EN 61347-1; EN61347-2-13; EN62384; EN55015; EN61000-3-2 ; EN61000-3-3; EN 61547;   |                                |                 |
| Others      | ErP  | EU 2019/2020                   |                 |
|             | RoHS   | RoHS (2011/65/EU) (EU)2015/863 |                 |
| Note        | 1.All parameters NOT specially mentioned are measured at 230VAC input , full load and 25°C of ambient temperature.<br>2.Ripple & Noise are measured at 20MHz of bandwidth by using a 300mm twisted pair-wire terminated with a 0.1uF & 47 uF parallel capacitor. |                                |                 |

◆ Wiring diagram

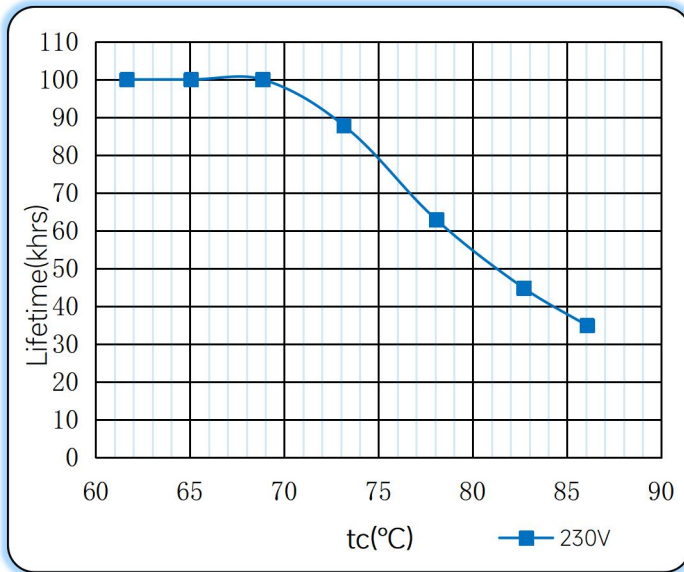


◆ 2D diagram

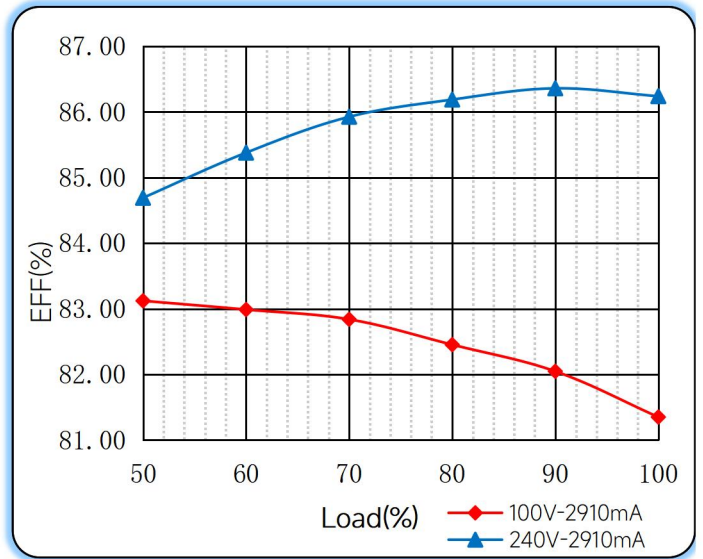


◆ **Curve for SH-35-12 IP44 LB**

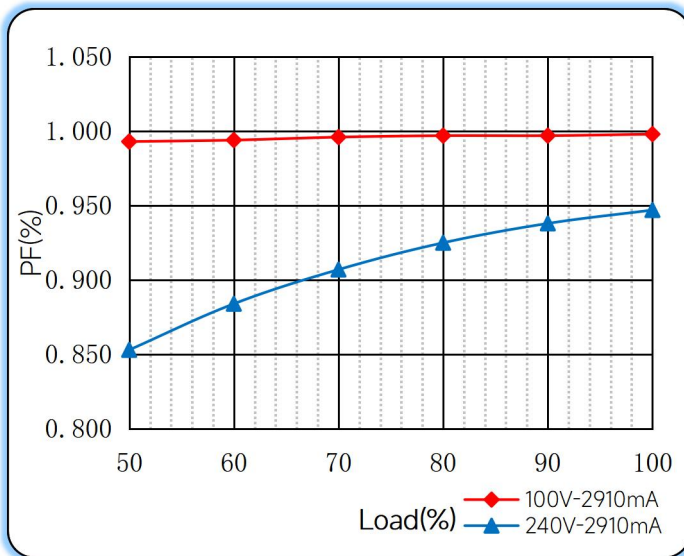
Lifetime vs. Temperature Curve



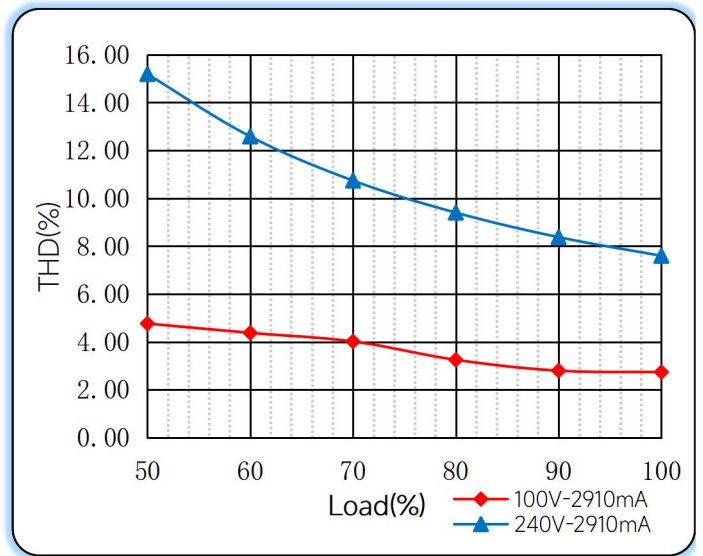
Efficiency vs. Load



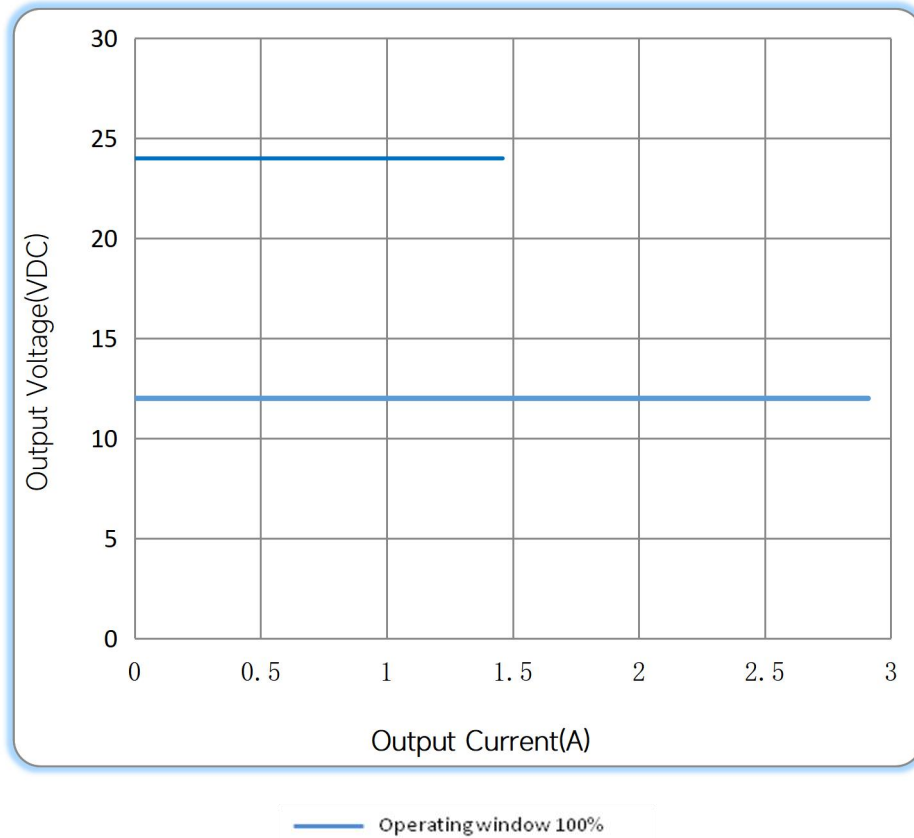
Power Factor Characteristics



THD vs. Load



### ◆ Operating window



### ◆ Revision Updates

| ITEM    | BEFORE | AFTER | VERSION | DATE       |
|---------|--------|-------|---------|------------|
| Initial |        |       | A       | 2022/05/15 |
|         |        |       |         |            |

Tel: +86-0757-86256822, +86-0757-86256831

E-mail: sales@eaglerise.com

Website : <https://lighting.eaglerise.com>



EAGLERISE



Manual