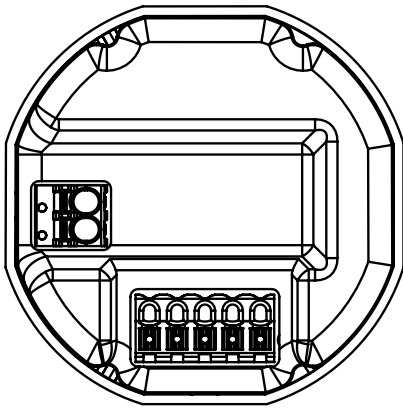


Schröder

ITERRA DYNAMIC SWITCH BLE5

Luminaire Controllers

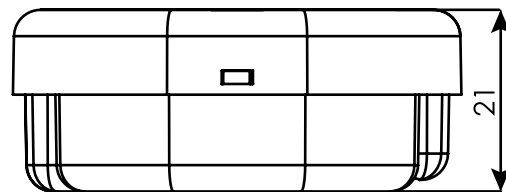
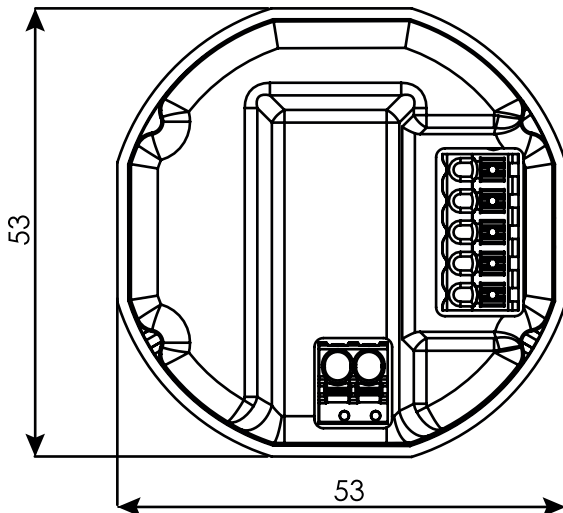
Installation Instructions



PRODUCT OVERVIEW



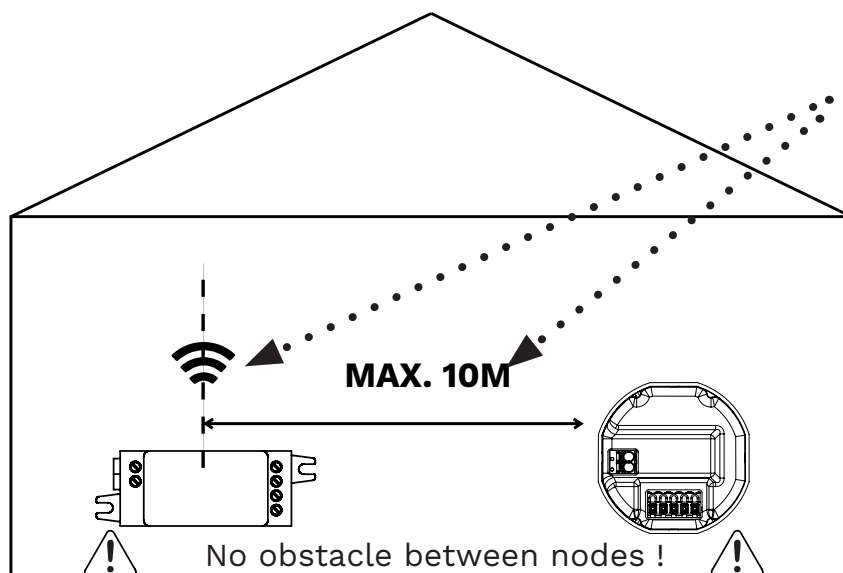
INDOOR USE ONLY!



Weight: 29g

Ambient temperature: 0-55°C

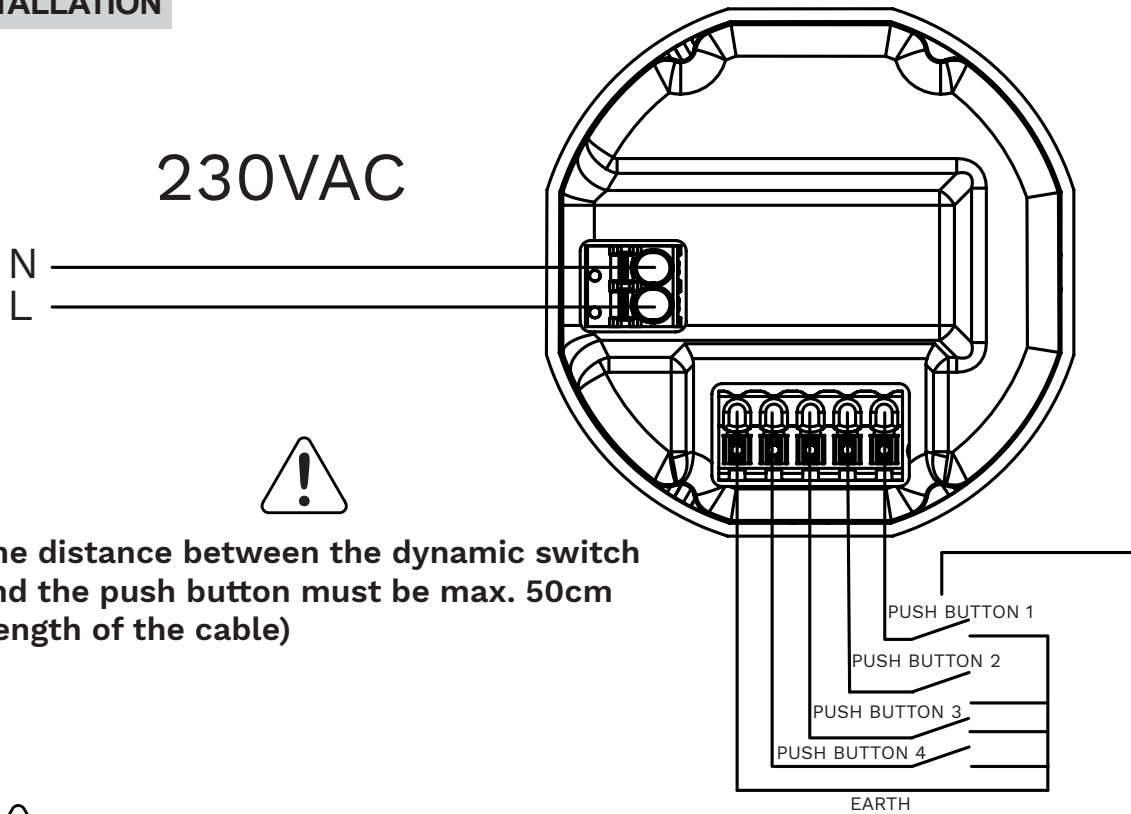
BEST LOCATION, RATIO & DISTANCE



Maximum distance could be lower depending on the indoor environment!



INSTALLATION



The distance between the dynamic switch and the push button must be max. 50cm (length of the cable)



Ensure cables are well connected (impossible to remove it)

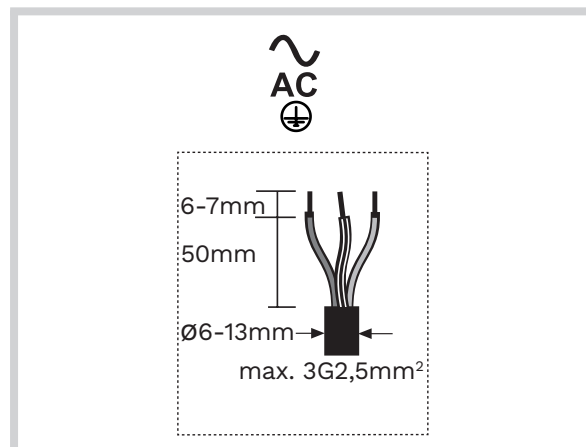


Make sure the node is installed in a protected and dry environment (indoor / in cover box)



Make sure the Switches and buttons connected to the inputs are free of potential.

WIRES



Ensure cables are well connected !

Make sure the node is installed in a protected and dry environment (indoor / in cover box) !