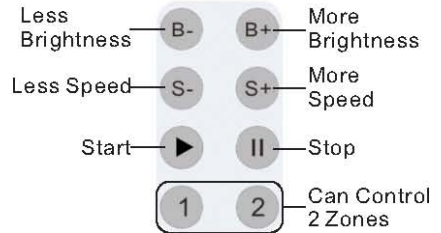


RF Touch RGB Controller SR-2809

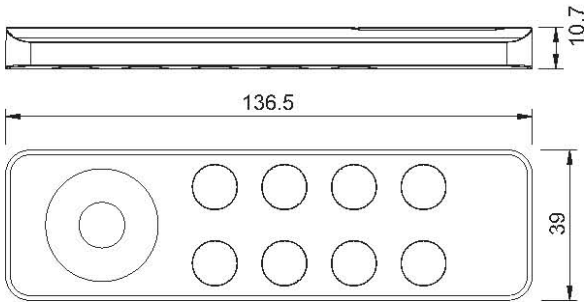
1.Product Picture



Usb charging port
for battery inside



2.Product Size



3.Product Parameter

Operation Voltage.....	3.6VDC
Operation Frequency.....	434MHz/868MHz
Ta.....	-20°C~+50°C
Approval.....	CE/FCC/Rohs
Remarks.....	Touch Sensor

4.Features

- High sensitive & high stable touch color wheel, fast & precise color control.
- Enable to control 2 zones separately. Each zone can switch on/off separately. Changing modes of 2 zones can be synchronized without any confusion.
- 1 changing modes. Enable to stay at any color under situation of color changing modes.
- Adjustable changing speed with 8 levels, quickest speed is 4 S, slowest speed is 256 S.
- Controlling RGBW or RGBY 4 colors that achieve more selectable colors than traditional RGB control.
- To work with power repeater to expand output unlimitedly.

5.Wiring diagram

