

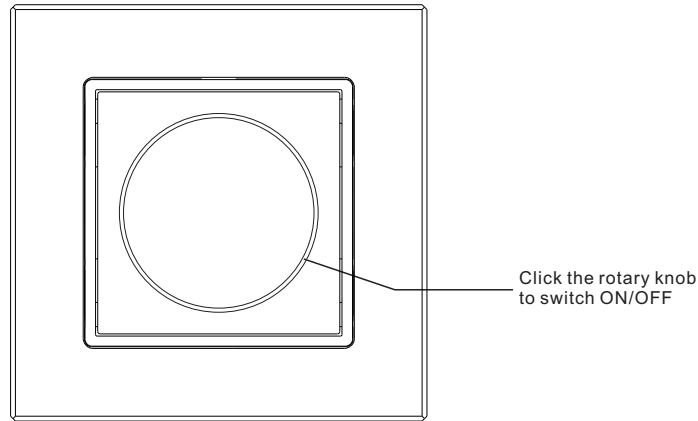
# RF RGB/CCT/Mono Color Wall Mounted Controller

09.2835R.04218



**Important:** Read All Instructions Prior to Installation

## Function introduction



### For RGB color version

Press and hold down the knob to adjust brightness to 100%.  
 Double click the knob to switch between RGB mode and brightness mode.  
 Rotate the knob to change RGB color(RGB mode) or dim between 1% to 100%(brightness mode).

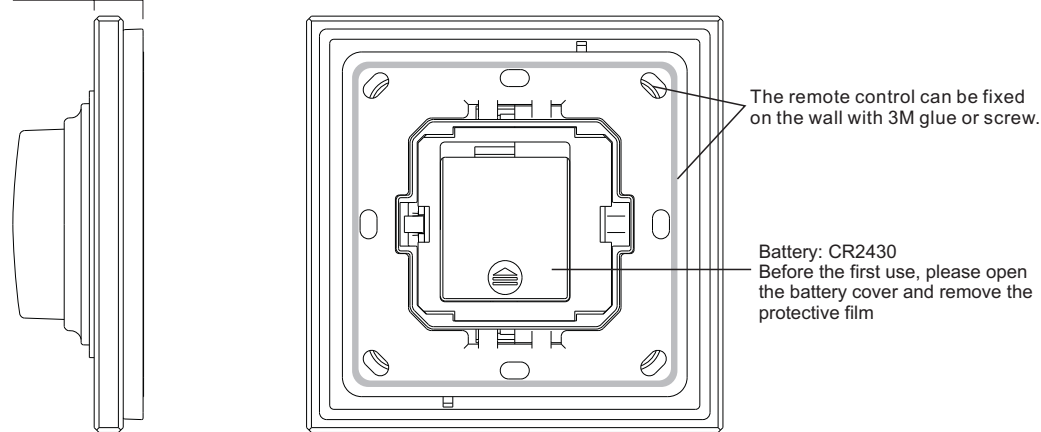
### For dual color version

Press and hold down the knob to adjust brightness to 100%.  
 Double click the knob to switch between dual color mode and brightness mode.  
 Rotate the knob to change color temperature(dual color mode) or dim between 1% to 100%(brightness mode).

### For Mono color version

Rotate the knob to dim between 1% to 100%.

10.1 mm



Back side

## Product Data

Output	RF signal
Operation Frequency	868MHz
Power Supply	3V(1xCR2430 battery)
Operating temperature	0-40°C
Relative humidity	8% to 80%
Dimensions	86x86x26.9mm

- Control 1 zone
- Monochrome, dual color, RGB color versions
- Compatible with all universal series RF receivers
- 1 receiver can be paired by max 8 different remote controls.
- Waterproof grade: IP20

## Safety & Warnings

- This device contains a button lithium battery that shall be stored and disposed properly.
- DO NOT expose the device to moisture.

## Operation

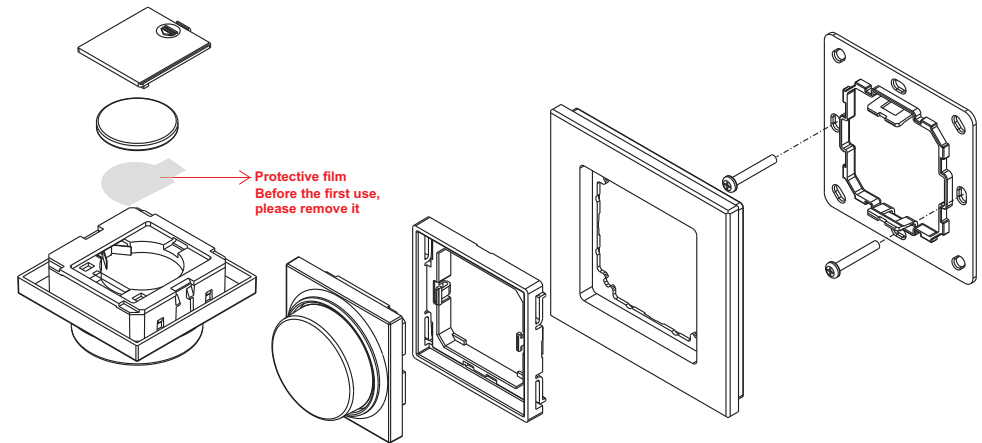
### 1. Pair with RF receivers:

Click "Learning Key" on RF receiver → Rotate or click the knob → LED lights connected with the receiver will flicker once → The receiver is paired with remote successfully.

### 2. How to delete the pairing:

Press and hold down "Learning Key" on the receiver for over 3 seconds until connected LED lights flicker twice, which means the pairing is deleted successfully.

## Installation



The key part of this controller is a universal, extremely rotary standard switch element that can be integrated in numerous frames by different manufactures as below list:

BEKER	S1, B1, B3, B7 glass
GIRA	Standard55, E2, Event, Esprit
JUNG	A500, Aplus
MERTEN	M-smart, M-Arc, M-Plan