

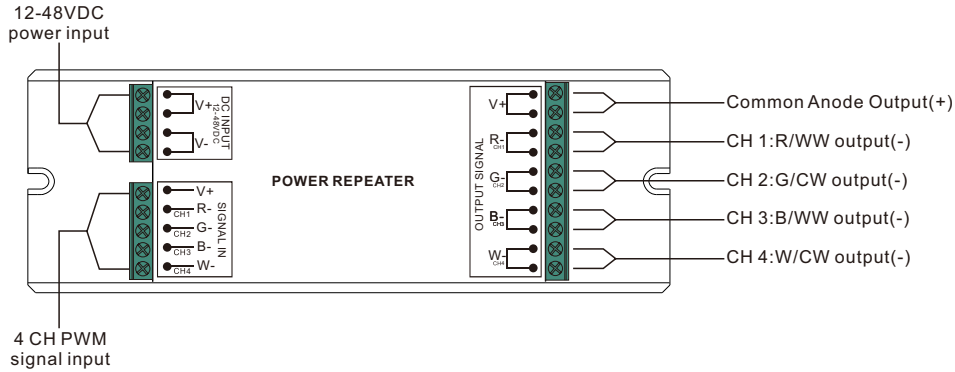
Power Repeater / Amplifier

70170002



Important: Read All Instructions Prior to Installation

Function introduction



Product Data

Input Voltage	Output Current	Output Power	Remarks	Size(LxWxH)
12-48VDC	4x8A@12-36VDC 4x4A@48VDC	4x(96-288)W@12-36VDC 4x192W@48VDC	Constant voltage	170x59x29mm

- Repeater dimming signal
- One channel/three channel/four channel optional, max up to 24A per channel
- Power repeater in series to expand output unlimitedly
- Waterproof grade: IP20

Safety & Warnings

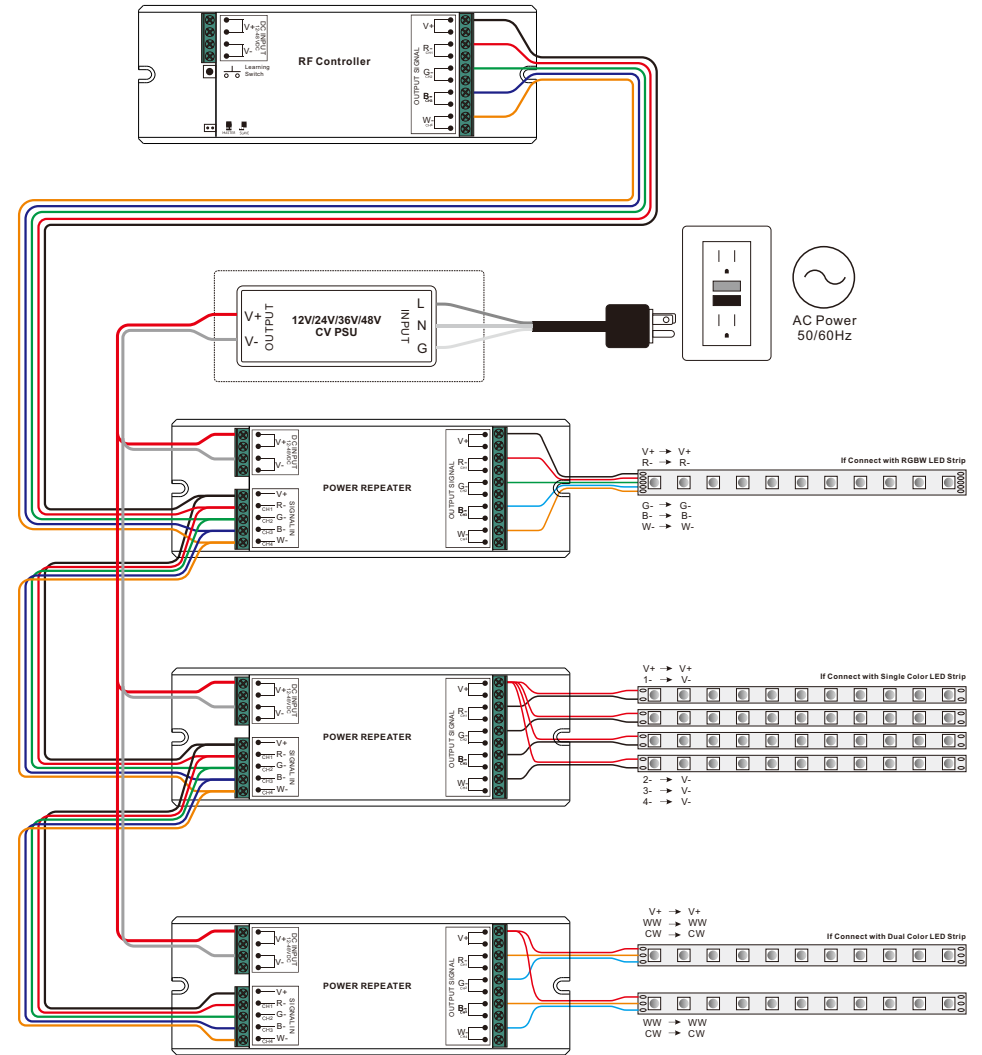
- DO NOT install with power applied to device.
- DO NOT expose the device to moisture.

Operation

LED power repeater is suitable for all of our single color & RGB controllers to expand power output, it supports PWM control and can connect one to three times more LEDs by adding one more power repeater, and unlimited power repeaters can be connected together theoretically.

The constant voltage power repeater and constant current power repeaters can be connected together, which is convenient for controlling LEDs with different voltage and power.

Wiring diagram



Product Dimension

