



P-DUKE POWER

UFEC30W Series

Chassis-Mount DC-DC Converter
Up to 30 Watts

3
YEARS
WARRANTY

ROHS
COMPLIANT

REACH
COMPLIANT



Automation



Datacom



IPC



Industry



Measurement



Telecom



Automobile



Boat



Charger



Medical



PV



Railway

CE CB

1600
VDC
Isolation
Voltage

4 : 1
Wide
Input
Range

FUSE
Installed

**INRUSH
CURRENT
LIMIT**

Internal
EN55032
Class
Filter **B**

NO
Min. Load
Required

**REMOTE
ON
OFF**

**REVERSE
POLARITY
PROTECTION**

OCP

OVP

SCP

UVP

PART NUMBER STRUCTURE

UFEC30 -	48	S	05	W -	N	R	EC
Series Name	Input Voltage (VDC)	Output Quantity	Output Voltage (VDC)	Input Range	Remote Control Option	Conformal Coating Option	Assembly Option
	24:10~40 48:18~75	S:Single	3P3:3.3 05:5 12:12 15:15 24:24 28:28	4:1	□:Positive logic N:Negative logic	□: None R: Conformal Coating	□: None EC: Enclosed Mounting Type DR: Din Rail Mounting Type ED: Enclosed & Din Rail Mounting Type
		D:Dual	12:±12 15:±15				

TECHNICAL SPECIFICATION All specifications are typical at nominal input, full load and 25°C unless otherwise noted

Model Number	Input Range	Output Voltage	Output Current @Full Load	Input Current @ No Load	Efficiency	Maximum Capacitor Load
	VDC	VDC	A	mA	%	μF
UFEC30-24S3P3W	10 ~ 40	3.3	6	51	86	19500
UFEC30-24S05W	10 ~ 40	5	6	66	86	10200
UFEC30-24S12W	10 ~ 40	12	2.5	68	86	3300
UFEC30-24S15W	10 ~ 40	15	2	74	87	1100
UFEC30-24S24W	10 ~ 40	24	1.25	38	83	500
UFEC30-24S28W	10 ~ 40	28	1	44	84	340
UFEC30-24D12W	10 ~ 40	±12	±1.25	33	83	±1000
UFEC30-24D15W	10 ~ 40	±15	±1	39	84	±680
UFEC30-48S3P3W	18 ~ 75	3.3	6	31	86	19500
UFEC30-48S05W	18 ~ 75	5	6	31	87	10200
UFEC30-48S12W	18 ~ 75	12	2.5	37	86	3300
UFEC30-48S15W	18 ~ 75	15	2	47	87	1100
UFEC30-48S24W	18 ~ 75	24	1.25	29	84	500
UFEC30-48S28W	18 ~ 75	28	1	29	85	340
UFEC30-48D12W	18 ~ 75	±12	±1.25	27	84	±1000
UFEC30-48D15W	18 ~ 75	±15	±1	27	85	±680

INPUT SPECIFICATIONS						
Parameter	Conditions		Min.	Typ.	Max.	Unit
Operating input voltage range	24Vin(nom)		10	24	40	VDC
	48Vin(nom)		18	48	75	
Input fuse	slow blow	24Vin(nom)	6		A	
		48Vin(nom)	4			
In-rush current			15		A	
Start up voltage	24Vin(nom)				10	VDC
	48Vin(nom)				18	
Shutdown voltage	24Vin(nom)		7.5	8	9.5	VDC
	48Vin(nom)		15.5	16	17.5	
Start up time	Constant resistive load	Power up	100		ms	
		Remote ON/OFF	20			
Input surge voltage	100ms, max.	24Vin(nom)			50	VDC
		48Vin(nom)			100	
Remote ON/OFF	Referred to -Vin pin	Positive logic	DC-DC ON	Open or 3 ~ 12VDC		mA
		(Standard)	DC-DC OFF	Short or 0 ~ 1.2VDC		
		Negative logic	DC-DC ON	Short or 0 ~ 1.2VDC		
		(Option)	DC-DC OFF	Open or 3 ~ 12VDC		
		Input current of Ctrl pin		-0.5	0.5	
Remote off input current			3		mA	

OUTPUT SPECIFICATIONS							
Parameter	Conditions		Min.	Typ.	Max.	Unit	
Voltage accuracy	3.3Vout		-1.5		+1.5	%	
	Others		-1.0		+1.0		
Line regulation	Low Line to High Line at Full Load		-0.5		+0.5	%	
Load regulation	No Load to Full Load		3.3Vout		+1.5	%	
			Others		+1.0		
Cross regulation	Asymmetrical load 25%/100% FL		-5.0		+5.0	%	
Voltage adjustability	Single output		28Vout		-3	+17	%
			Others		-10	+10	
Ripple and noise	Measured by 20MHz bandwidth	Single	3.3Vout, 5Vout, 12Vout, 15Vout		50	mVp-p	
			24Vout, 28Vout		75		
		Dual	All		130		100
Temperature coefficient			-0.02		+0.02	%/°C	
Transient response recovery time	25% load step change			250		µs	
Over voltage protection	Zener diode clamp		3.3Vout		3.9	VDC	
			5Vout		6.2		
			12Vout		15		
			15Vout		18		
			24Vout		30		
			28Vout		36		
Output indicator			Green LED				
Over load protection	% of lout rated		150			%	
Short circuit protection			Continuous, automatics recovery				

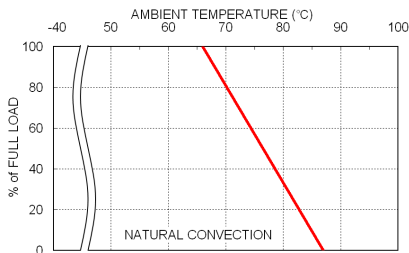
GENERAL SPECIFICATIONS						
Parameter	Conditions		Min.	Typ.	Max.	Unit
Isolation voltage	1 minute	Input to Output	1600			VDC
		Input (Output) to Chassis	1600			
Isolation resistance	500VDC		1			GΩ
Isolation capacitance					4000	pF
Switching frequency			270	300	330	kHz
Safety meets	IEC/ UL/ EN60950-1		UL:E193009 CB:UL(Demko)			
Chassis material			Aluminum			
Conformal coating			Impregnating varnish			
Weight			110g (3.88oz)			
MTBF	MIL-HDBK-217F, Full load		8.277 x 10 ⁵ hrs			

ENVIRONMENTAL SPECIFICATIONS						
Parameter	Conditions		Min.	Typ.	Max.	Unit
Operating ambient temperature	Without derating		-40		+59	°C
	With derating		+59		+92	
Over temperature protection	Case of DC/DC module			+115		°C
Storage temperature range			-40		+105	°C
Thermal shock						MIL-STD-810F
Vibration	□□S□□W -□					MIL-STD-810F
	□□S□□W -□EC					MIL-STD-810F
	□□S□□W -□DR					IEC60068-2-6
	□□S□□W -□ED					IEC60068-2-6
Relative humidity						5% to 95% RH

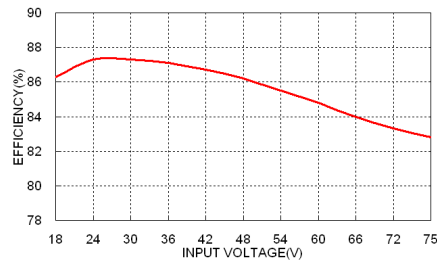
EMC SPECIFICATIONS

Parameter	Conditions	Level
EMI	EN55032	Class B
ESD	EN61000-4-2 Air ± 8kV and Contact ± 6kV	Perf. Criteria A
Radiated immunity	EN61000-4-3 10V/m	Perf. Criteria A
Fast transient	EN61000-4-4 ± 2kV	Perf. Criteria A
Surge	EN61000-4-5 ± 1kV	Perf. Criteria A
Conducted immunity	EN61000-4-6 10Vr.m.s	Perf. Criteria A
Power frequency magnetic field	EN61000-4-8 100A/m continuous; 1000A/m 1 second	Perf. Criteria A

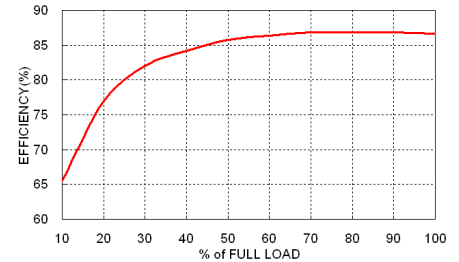
CHARACTERISTIC CURVE



UFEC30-48S05W Derating Curve



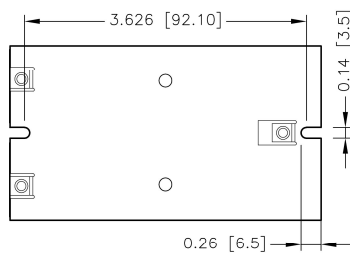
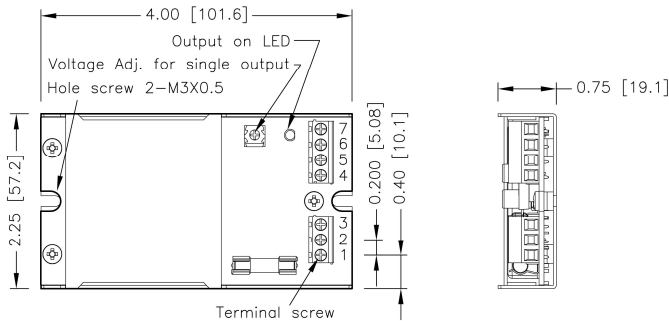
UFEC30-48S05W Efficiency vs. Input Voltage



UFEC30-48S05W Efficiency vs. Output Load

MECHANICAL DRAWING

CHASSIS MOUNTING TYPE



BOTTOM VIEW

TERMINAL CONNECTION

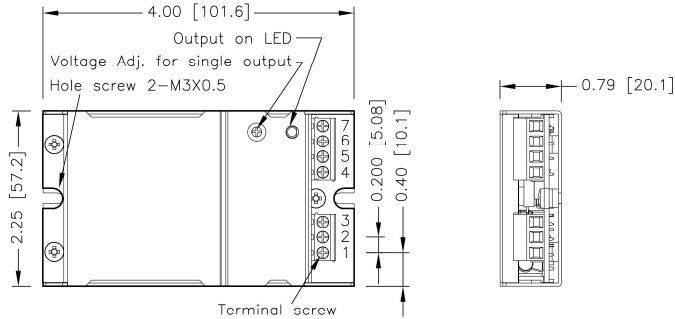
NO.	SINGLE	DUAL
1	+Vin	+Vin
2	-Vin	-Vin
3	Ctrl	Ctrl
4	NC	NC
5	-Vout	-Vout
6	+Vout	Common
7	NC	+Vout

※ NC : No Connection

※ Screw terminals – wire range from 14 to 18 AWG

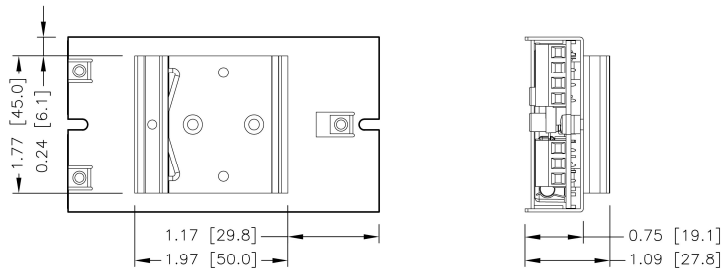
MECHANICAL DRAWING(CONTINUED)

ENCLOSED MOUNTING TYPE



TOP VIEW

DIN RAIL MOUNTING TYPE



BOTTOM VIEW

1. All dimensions in Inch [mm]
2. Tolerance : X.XX±0.02 [X.X±0.5]
X.XXX±0.01 [X.XX±0.25]
3. Hole screw locked torque :
MAX 5.0kgf-cm [0.49N-m]
4. Terminal screw locked torque :
MAX 2.5kgf-cm [0.25N-m]